

UP2DATE

NEW ELECTRONIC LEVELLING CONTROL (ELC) RETROFIT KITS

NEW ELC Retrofit Kits for various OEM applications.

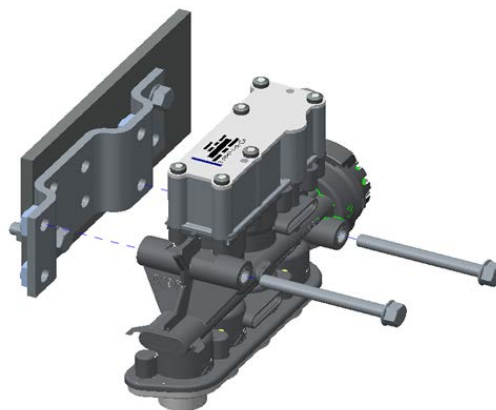
Electronic levelling control provides the control and adjustment of the vehicle level, control of lift axles and various other features.

In order to continually provide the best customer service, Knorr-Bremse completes its Independent Aftermarket (IAM) ELC product range with Retrofit Kits for competitor products.

Included in the Kits are the Service New Knorr-Bremse ELC Valve Block, a connector bracket, thread fittings and fitting screws as well as nuts.

At a glance

- › High variant coverage with only two part numbers
- › Utilization of the global portfolio to cover competitor applications in the accustomed Knorr-Bremse quality
- › More than 25 years of experience in leveling control products for commercial vehicles



The following page contains an overview of the Retrofit Kits as well as their cross-references and vehicle applications.

RETROFIT KITS FOR VARIOUS OEM APPLICATIONS

IAM part number	Description	Cross References Competitor *	Vehicle Manufacturer Number OE	Vehicle application
K160356N50	with M16 blind plug	4728800010	81.25902-6239	MAN
			1343254	DAF
			5010422345	Renault
			1934983	Scania
			20707211	Volvo
			41211013	Iveco Bus
			4C46-3038AA	Ford
			505820513	Krone
			5010422345	Renault
			20707211	Volvo
		4729000530	500310195	Iveco Bus
			81 25902 6146	MAN
			N2259026006	MAN
			5010143096	Renault
			1302682	DAF
			000 327 67 25	Mercedes - Benz
			11016529	Neoplan
			495068	Orthaus
			1934990	Scania
			1021-402-002	Solaris
4729000620	1383956	Scania		
	1934994	Scania		
	1505294	DAF		
4729000630	1518917	DAF		
	41003307	Iveco Bus		
	41003307EB	Iveco		
K160357N50	without blind plug	4728800000	A0003278525	Mercedes - Benz, Evobus
		4728800040	20514450	Volvo
		4729000600	A0003276725	Mercedes - Benz
			1506180	DAF

* Please note that the listed cross references to the competitors' numbers are intended as help for identifying the relevant Knorr-Bremse part number.

EVERY VEHICLE TELLS ITS STORY.
KEEP IT RUNNING

Up-to-date information on our products can be
found on our website www.knorr-bremsecvs.com



Knorr-Bremse Group

Knorr-Bremse Systems for Commercial Vehicles

Moosacher Strasse 80 | 80809 Munich | Germany
Tél: +49 89 3547-0 | Fax: +49 89 3547-2767
WWW.KNORR-BREMSECVS.COM

Note

All information is subject to change. A printed version of this document may therefore not correspond to the latest revision. To obtain the latest version, please visit our website www.knorr-bremsecvs.com or contact a Knorr-Bremse representative in your area.

If service work is carried out on a vehicle based on information provided herein, it is the responsibility of the workshop to ensure the vehicle is fully tested and in full functional order before the vehicle is returned into service. Knorr-Bremse accepts no liability for problems caused as a result of appropriate tests not being carried out.

Copyright © Knorr-Bremse AG

All rights reserved, including industrial property rights applications. Knorr-Bremse AG retains any power of disposal, such as for copying and transferring.

Disclaimer

The information contained herein is intended for the exclusive use of trained persons within the commercial vehicle industry, and must not be passed on to any third party. All recommendations regarding products and their servicing or usage are with reference to Knorr-Bremse products and should not be considered applicable to products from other manufacturers. This information does not purport to be all-inclusive and no responsibility is assumed as a result of its use. We cannot accept any liability nor offer any guarantee regarding data accuracy, completeness or timeliness. The information does not represent any guarantee or ensured characteristics of the Products or Systems described. No liability can be accepted based on the information, its use, recommendations or advice provided. In no event may we be held liable for any damage or loss except in the case of wilful intent or gross negligence on our part, or if any mandatory legal provisions apply. This disclaimer is an English translation of a German text, which should be referred to for all legal purposes. Any legal disputes arising from the use of this information shall be subject to German law.