

## TEBS G2 Cables for TEBS G2

### Function

**Cables** are used in trailer EBS systems to:

- provide electrical power to the components in the system.
- communicate signals to the ECU from sensors monitoring trailer characteristics.
- communicate control commands from the ECU to modulators/modules to enable any required braking intervention.
- communicate control commands from the towing vehicle.

Power Supply Cables are used to distribute electrical power from the towing vehicle to electrically powered braking and auxiliary equipment on the trailer. The main power supply to the trailer is through a plug or socket according to ISO 7638. The ISO 7638 connection carries the CAN signal from/to the towing vehicle and so the EBS Power Supply Cables also provide the CAN signal to the ECU.

The cables are available in various lengths and are normally supplied with a bayonet connector to ensure easy and safe connection.

Modular Cables / Wiring Harnesses are available in many configurations and are used to supply electrical signals and power to auxiliary equipment including the external third modulator on 4S/3M systems.

Wheel Speed Sensor Cables are used to connect the ECU to the wheel speed sensors so that their wheel speed signals can be sent. The wheel speed sensor is supplied with only a short length of cable and so will often require a Wheel Speed Sensor Extension Cable to enable connection.



#### Note:

The text in the 'Comments' columns describes the typical usage. Other connections are possible for most cables.

In this document the cables are divided into sections:

- Each section covers the system for which the cables are intended (TEBS G2.0/G2.1/G2.2).
- To help in finding the right cable, at the head of each page is a photograph of the module from the relevant system.
- Cables which can be used in more than one system have photographs of all relevant modules at the head of the page.
- Each section starts with details of power cables, then shows modulator cables, wheel speed sensor cables and auxiliary cables.
- If you need cables for 12 V systems, please contact your Knorr-Bremse representative.

### Technical Features

Operating Temperature Range: -40 °C to +80 °C

See tables for other features.

### Colour Coding used in this document

BK	Black	BU	Blue	RD	Red	YE	Yellow
BN	Brown	GN	Green	WH	White		

#### Identification of Module Types

Base Part No.	Type No.	Brake Module Type	Stop Lamp Powering	
K019300	ES2060	TEBS G2.0 Premium	yes	
K019302			yes	
K019309			yes	
K019310		TEBS G2.1 Premium	yes	
K019312			yes	
K019319			yes	
K019340		TEBS G2.0 Standard	yes	
K019342			yes	
K019349			yes	
K019350			yes	
K019352			TEBS G2.1 Standard	yes
K019359				yes
K021940		ES2070	Trailer Electro-Pneumatic Module - Standard (TEPM-S)	no
K027900		ES2071	Trailer Electro-Pneumatic Module - Premium (TEPM-P)	no
K027940	ES2099	Trailer Electro-Pneumatic Module - Advanced (TEPM-A)	no	
K055332	ES2090	TEBS G2.2 Standard Plus	no	
K055342		TEBS G2.2 Standard	yes	
K055352			yes	
K055362			yes	
K055369			yes	
K055372		TEBS G2.2 Standard Plus	no	
K055379			no	
K110612	ES2095	TEBS G2.2 Premium	yes	
K110619			yes	

#### Other Documentation

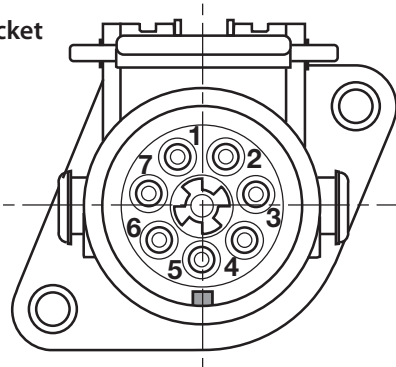
For information on systems and components mentioned in this document please refer to:

- |  |                                  |
|--|----------------------------------|
| – Pressure Control Valve for iCargo                    | PD-200-120, Document No. Y114019 |
| – Diagnostic Cables for TEBS G2                        | PD-272-035, Document No. Y138839 |
| – Pressure Sensor                                      | PD-262-200, Document No. Y095830 |
| – Deflection Sensor                                    | PD-264-200, Document No. Y095832 |
| – TEBS G2.0/G2.1 Brake Module                          | PD-214-200, Document No. Y050635 |
| – TEBS G2.2 Brake Module Standard                      | PD-214-300, Document No. Y136107 |
| – TEBS G2.2 Brake Module Standard Plus                 | PD-214-325, Document No. Y172339 |
| – TEBS G2.2 Brake Module Premium                       | PD-214-350, Document No. Y200882 |
| – Trailer Electro-Pneumatic Module (TEPM-S/TEPM-P)     | PD-214-600, Document No. Y095618 |
| – Trailer Electro-Pneumatic Module - Advanced (TEPM-A) | PD-214-700, Document No. Y232989 |
| – Level Sensor for iLvl (iLvl Sensor)                  | PD-264-300, Document No. Y160685 |
| – iTAP Wireless Interface (ECU)                        | PD-273-940, Document No. Y202588 |
| – iTAP Camera  | PD-273-945, Document No. Y250787 |
| – iLvl Valve   | PD-280-450, Document No. Y172342 |
| – Tyre Pressure Monitoring System (TPMS)               | PD-551-000, Document No. Y095833 |
| – Wheel Speed Sensors                                  | PD-261-000, Document No. Y011363 |

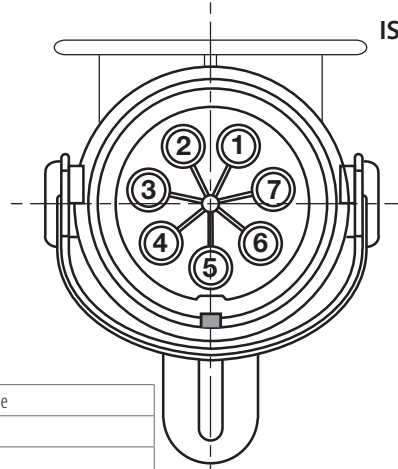
## TEBS G2 Cables for TEBS G2

### Pin Configurations

ISO 7638 Socket  
(24 V)

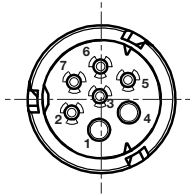


ISO 7638 Plug  
(24 V)

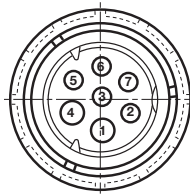


Pin 1	red	Valve supply voltage
Pin 2	black	ECU supply voltage
Pin 3	yellow	ECU ground
Pin 4	brown	Valve ground
Pin 5	white	Warning lamp
Pin 6	white/green	CAN-Hi
Pin 7	white/brown	CAN-LO

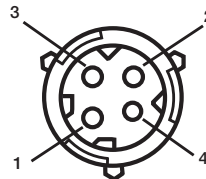
7-pin Bayonet Socket  
(ISO 7638 Power)



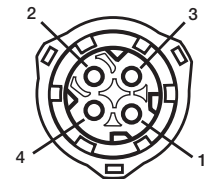
7-pin Bayonet Plug  
(ISO 7638 Power)



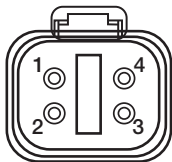
4-pin Bayonet Socket



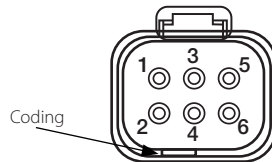
4-pin Bayonet Plug



Deutsch 4-way Plug

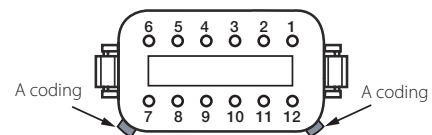


Deutsch 6-way Plug



Deutsch 12-way Plug

TEBS G2.2 and TEPM-A use a Code A Plug (Grey)



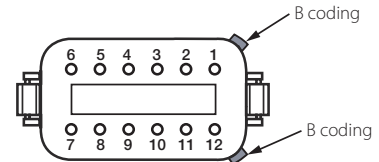
Fits the TEBS G2.2 Premium 6-way Socket (No Coding for 3rd Modulator)

Note - pin 3 of the 4-way plug connects to pin 6 of the 6-way socket in the TEBS Module and pin 4 connects to pin 5 of the 6-way socket in the TEBS Module

TEBS G2.2 Premium uses the 6-pin Plug (A and B Coding)

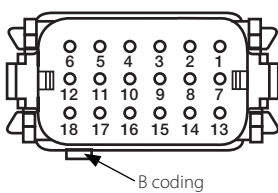
TEPM-A uses the 6-pin Plug (A Coding)

TEBS G2.0/G2.1 uses a Code B Plug (Black)

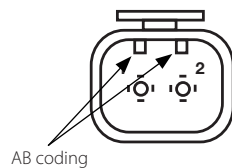


Deutsch 18-way Plug

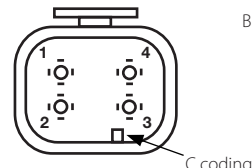
TEPM-P uses the 18-way Plug



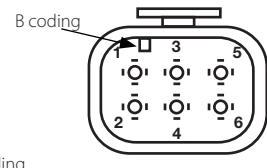
MKS PLUS 2-pin Plug



MKS PLUS 4-pin Plug



MKS PLUS 6-pin Plug



TEPM-S uses the 2-pin, 4-pin and 6-pin Plug

## TEBS G2 Cables for TEBS G2

### Cable Selection Guide - TEBS G2 (typical systems)

ISO 7638 Power & 24 V CAN Cables  
- pages 6 - 8

Pad Wear Sensing Cables  
- pages 40 - 42

Auxiliary Cables  
- G2.2 pages 9 - 15, 17 - 20, 27 - 28, 32 - 33  
- G2.0/2.1 pages 19 - 33

ISO 7638

ISO 125098

Stop Lamp Power Cables  
- G2.2 pages 9 - 12  
- G2.0/2.1 pages 21 - 24

iTAP ECU/Camera cables  
- G2.2 only - pages 32 - 35

Wheel Speed Sensor Connection Cables  
- G2.2 page 16, G2.0/2.1 page 33

ISO 7638 Power & 24 V CAN  
- Cables - pages 6 - 8

Tyre Pressure Monitoring System (TPMS) Cable  
- pages 32, 38

Wheel Speed Sensor Connection Cables  
- G2.2 page 16, G2.0/2.1 page 33

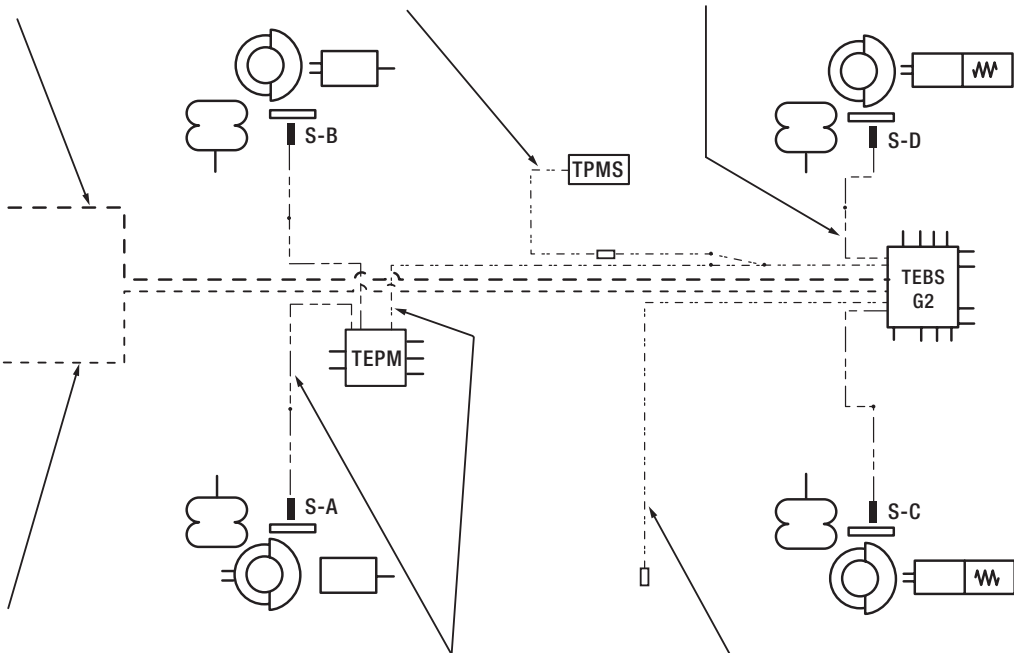
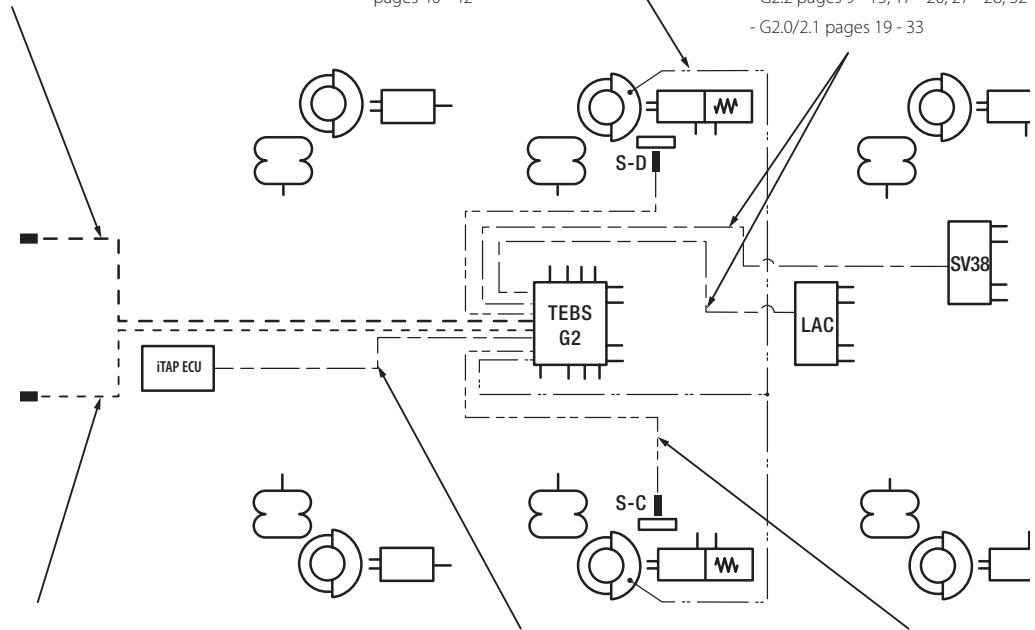
ISO 7638

ISO 125098

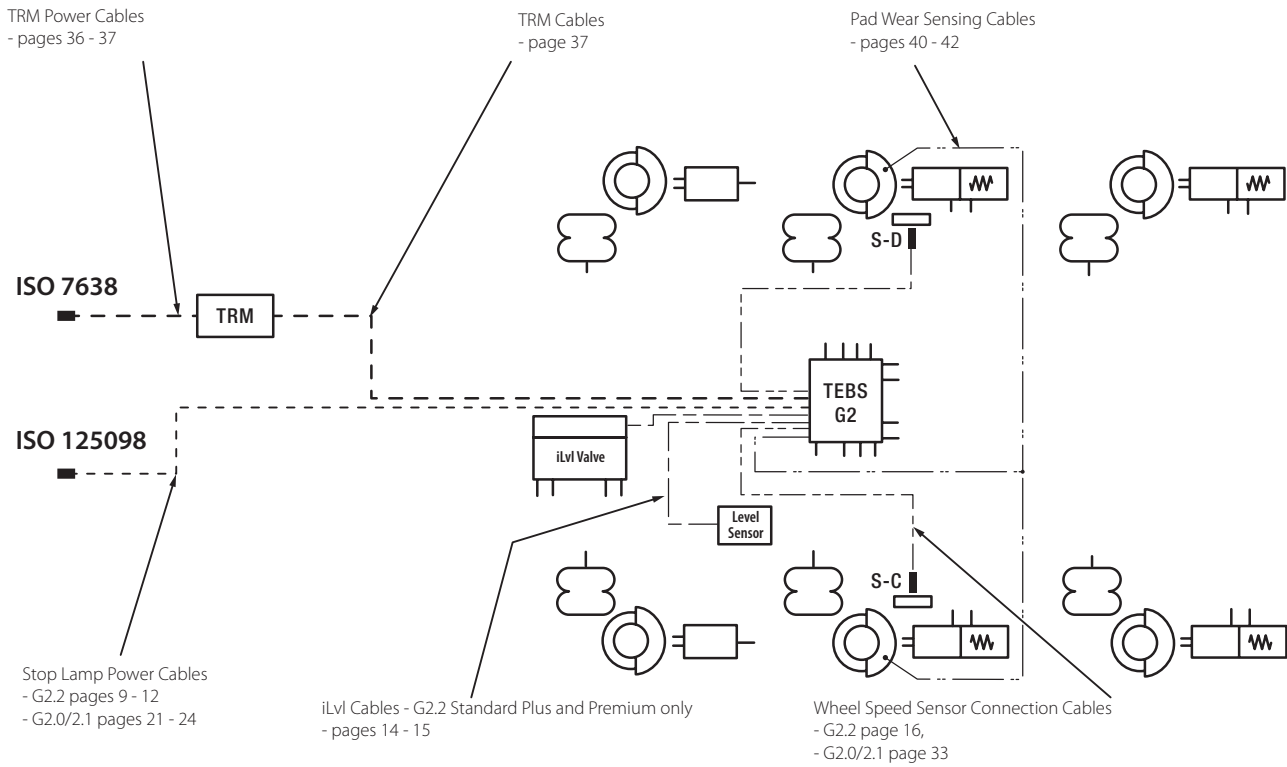
Stop Lamp Power Cables  
- G2.2 pages 9 - 12  
- G2.0/2.1 pages 21 - 24

Trailer Electro-Pneumatic Module (TEPM) Cables  
- pages 17 - 20, 29 - 33

Diagnostic Socket Cables -  
- G2.2 pages 10 - 11, 14, 32  
- G2.0/2.1 pages 22 - 23, 32



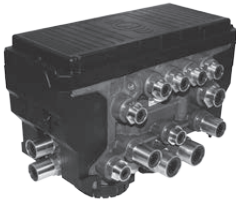
#### Cable Selection Guide - TEBS G2 (typical systems) - contd.



## TEBS G2 Cables for TEBS G2

### Range Overview - TEBS G2 Cables

**TEBS G2.0  
Brake Module**



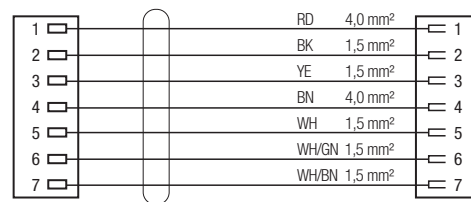
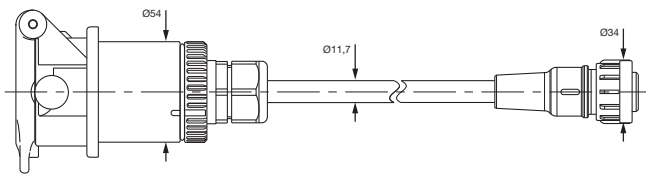
**TEBS G2.1  
Brake Module**



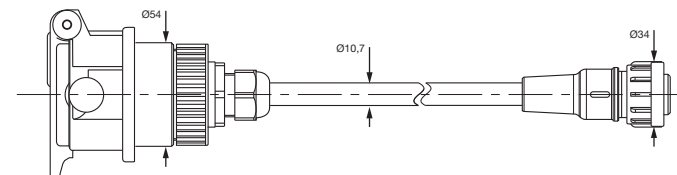
**TEBS G2.2  
Brake Modules**



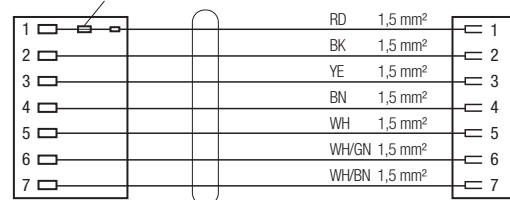
### Power Cable (for semi-trailers) with ISO 7638 Socket and Power Connector



Part No.	Type No.	Cable length [m]	Comments
K028491 <sup>1)</sup>	-	0.5	
K008430 <sup>1)</sup>	-	10.0	
K008431 <sup>1)</sup>	-	13.0	



15 Amp Integrated fuse



Part No.	Type No.	Cable length [m]	Comments
K019288 <sup>1)</sup>	-	13.0	Fused socket Note: - Replacement Fused Pin K068781K50 - Replacement Socket K061967K50

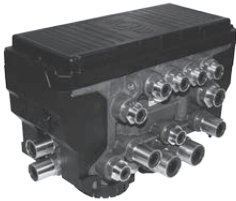
Note: The fuse in this power cable limits the number of output devices connected to the TEBS Brake Module. See PD-214-F006, Document No. Y136112 for full details.

<sup>1)</sup> The part number will carry a suffix "N00" which defines that it is supplied without packaging. Example K019288N00

## TEBS G2 Cables for TEBS G2

### Range Overview - TEBS G2 Cables (contd.)

TEBS G2.0  
Brake Module



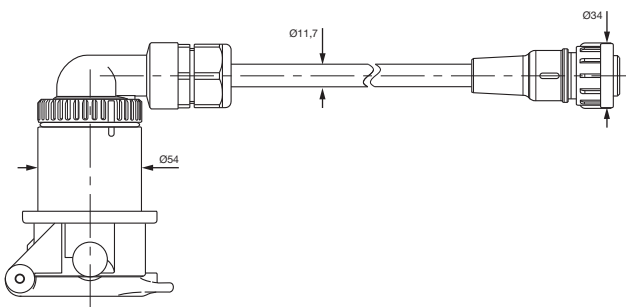
TEBS G2.1  
Brake Module



TEBS G2.2  
Brake Modules



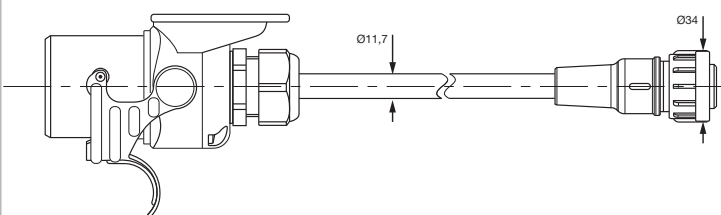
### Power Cable (for semi-trailers) with ISO 7638 Socket and Power Connector (contd.)



1	RD	4,0 mm <sup>2</sup>	1
2	BK	1,5 mm <sup>2</sup>	2
3	YE	1,5 mm <sup>2</sup>	3
4	BN	4,0 mm <sup>2</sup>	4
5	WH	1,5 mm <sup>2</sup>	5
6	WH/GN	1,5 mm <sup>2</sup>	6
7	WH/BN	1,5 mm <sup>2</sup>	7

Part No.	Type No.	Cable length [m]	Comments
K028583 <sup>1)</sup>	-	13.0	
K008432 <sup>1)</sup>	-	16.0	

### Power Cable (for drawbar and centre-axle trailers) with ISO 7638 Plug and Power Connector



1	RD	4,0 mm <sup>2</sup>	1
2	BK	1,5 mm <sup>2</sup>	2
3	YE	1,5 mm <sup>2</sup>	3
4	BN	4,0 mm <sup>2</sup>	4
5	WH	1,5 mm <sup>2</sup>	5
6	WH/GN	1,5 mm <sup>2</sup>	6
7	WH/BN	1,5 mm <sup>2</sup>	7

Part No.	Type No.	Cable length [m]	Comments
K010710 <sup>1)</sup>	-	10.0	
K010711 <sup>1)</sup>	-	13.0	

<sup>1)</sup> The part number will carry a suffix "N00" which defines that it is supplied without packaging. Example K010711N00

## TEBS G2 Cables for TEBS G2

### Range Overview - TEBS G2 Cables (contd.)

TEBS G2.0  
Brake Module



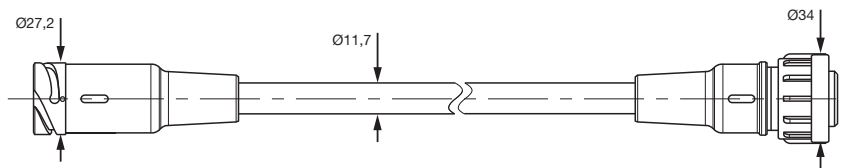
TEBS G2.1  
Brake Module



TEBS G2.2  
Brake Modules

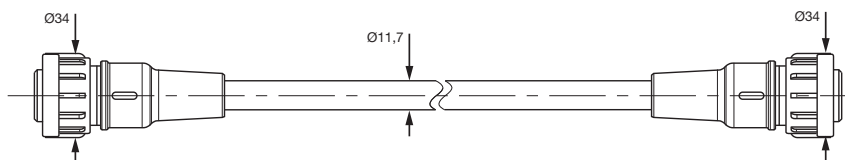


### Power Extension/Trailer Electro-Pneumatic Module (TEPM) Connecting Cable



Part No.	Type No.	Cable length [m]	Comments
K028000 <sup>1)</sup>	-	2.0	Power extension cable or (TEPM) connecting cable
K021138 <sup>1)</sup>	-	4.0	
K028001 <sup>1)</sup>	-	10.0	
K027826 <sup>1)</sup>	-	11.0	
K027827 <sup>1)</sup>	-	13.0	

### Power Connecting Cable



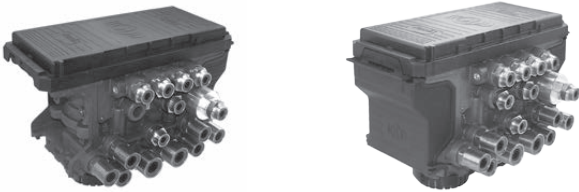
Part No.	Type No.	Cable length [m]	Comments
K010718 <sup>1)</sup>	-	0.5	Adapter to connect TEBS4 Power cable

<sup>1)</sup> The part number will carry a suffix "N00" which defines that it is supplied without packaging. Example K010718N00

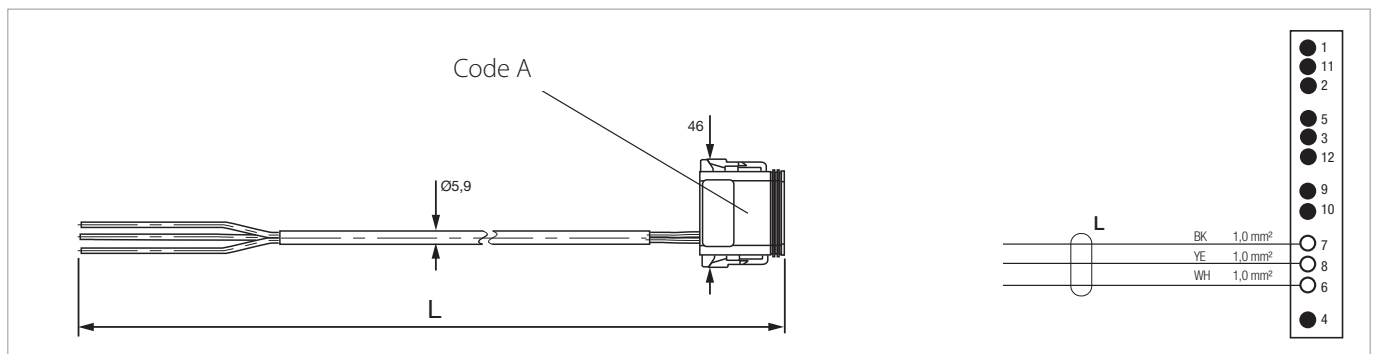


#### Range Overview - TEBS G2.2 Cables

##### TEBS G2.2 Brake Modules

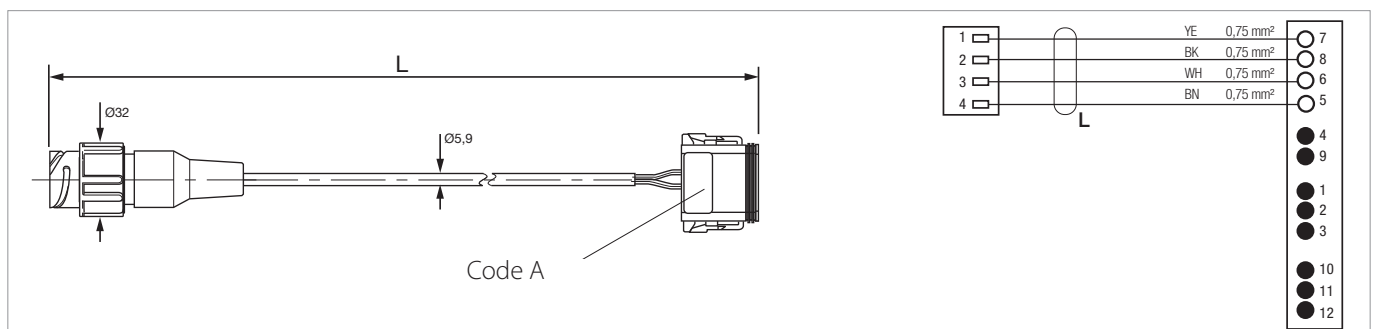


#### In-Out Cable for ISO 12098 Connection



Part No.	Type No.	Cable length [m]	Comments
K027861 <sup>1)</sup>	-	7.0	For ISO 12098 (TEB G2.2 Standard and Premium)
K027862 <sup>1)</sup>	-	15.0	and input (with open ends)

#### In-Out Cable with Bayonet Connector

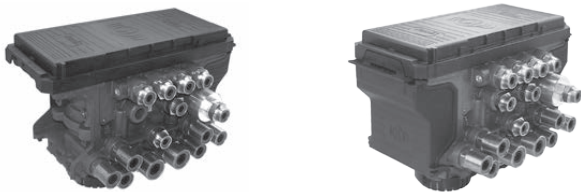


Part No.	Type No.	Cable length [m]	Comments
K097079 <sup>1)</sup>	-	1.5	For ISO 12098 (TEB G2.2 Standard and Premium) and inputs

<sup>1)</sup> The part number will carry a suffix "N00" which defines that it is supplied without packaging. Example K097079N00

### Range Overview - TEBS G2.2 Cables (contd.)

#### TEBS G2.2 Brake Modules



### In-Out Cable for Speed Pulse/RtR

Part No.	Type No.	Cable length [m]	Comments
K027860 <sup>1)</sup>	-	6.5	Speed Pulse/RtR (AUXIO 1)

### In-Out Cable for ISO 12098 Connection, Speed Pulse/RtR or Lift Axle Control and Diagnostic Socket

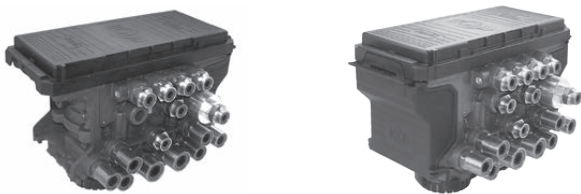
Part No.	Type No.	Cable length [m]	Comments
K027867 <sup>1)</sup>	-	L <sub>1</sub> = 6.5 L <sub>2</sub> = 7.0 L <sub>3</sub> = 6.0	L <sub>1</sub> = Speed Pulse/RtR or lift axle control (AUXIO 1) L <sub>2</sub> = Stop lamp supply (ISO 12098 - TEBS G2.2 Standard and Premium) and input (with open ends) L <sub>3</sub> = diagnostic socket

1) The part number will carry a suffix "N00" which defines that it is supplied without packaging. Example K027867N00

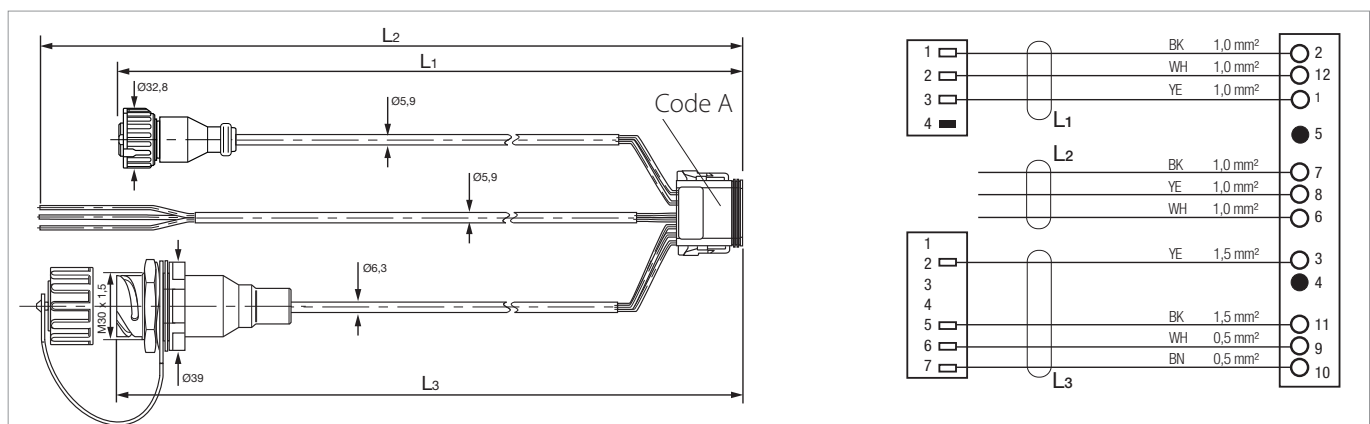
## TEBS G2 Cables for TEBS G2

### Range Overview - TEBS G2.2 Cables (contd.)

#### TEBS G2.2 Brake Modules

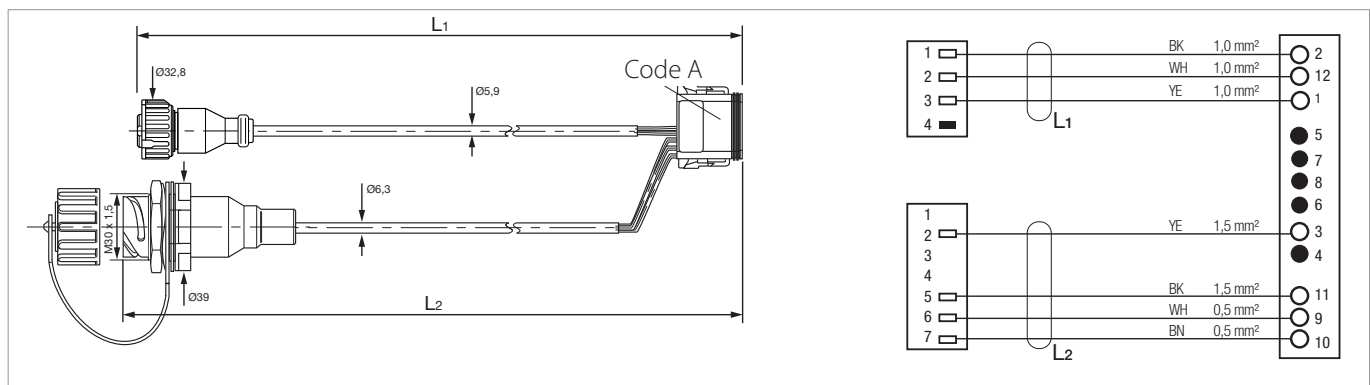


### In-Out Cable for ISO 12098 Connection, Speed Pulse/RtR or Lift Axle Control and Diagnostic Socket (contd)



Part No.	Type No.	Cable length [m]	Comments
K027869 <sup>1)</sup>	-	L <sub>1</sub> = 2.0 L <sub>2</sub> = 7.0 L <sub>3</sub> = 6.0	L <sub>1</sub> = Speed Pulse/RtR and/or lift axle control (AUXIO 1 & 2) L <sub>2</sub> = Stop lamp supply (ISO 12098 - TEBS G2.2 Standard and Premium) and input (with open ends) L <sub>3</sub> = diagnostic socket

### In-Out Cable for Speed Pulse/RtR or Lift Axle Control and Diagnostic Socket

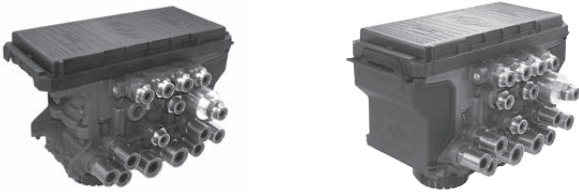


Part No.	Type No.	Cable length [m]	Comments
K027859 <sup>1)</sup>	-	L <sub>1</sub> = 2.0 L <sub>2</sub> = 7.0	L <sub>1</sub> = Speed Pulse/RtR and/or lift axle control (AUXIO 1 & 2) L <sub>2</sub> = diagnostic socket

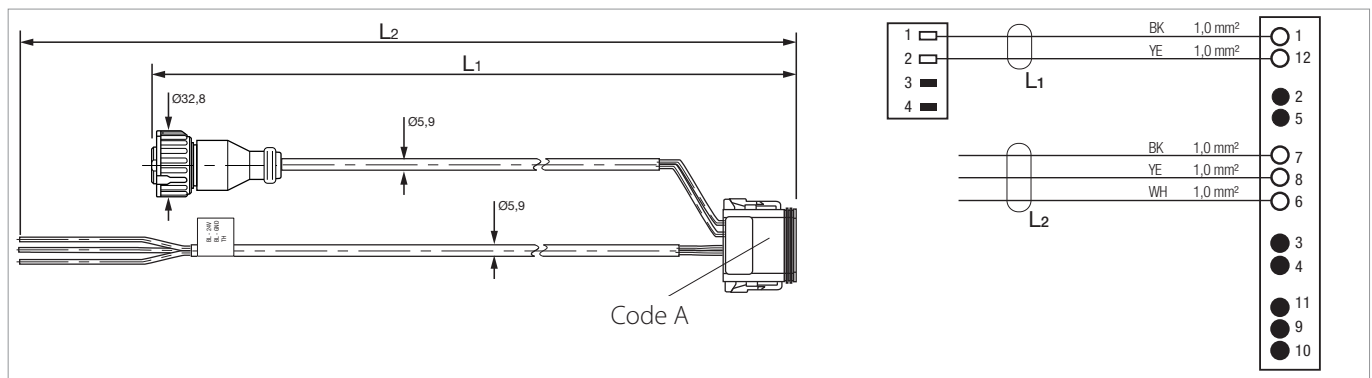
1) The part number will carry a suffix "N00" which defines that it is supplied without packaging. Example K027859N00

### Range Overview - TEBS G2.2 Cables (contd.)

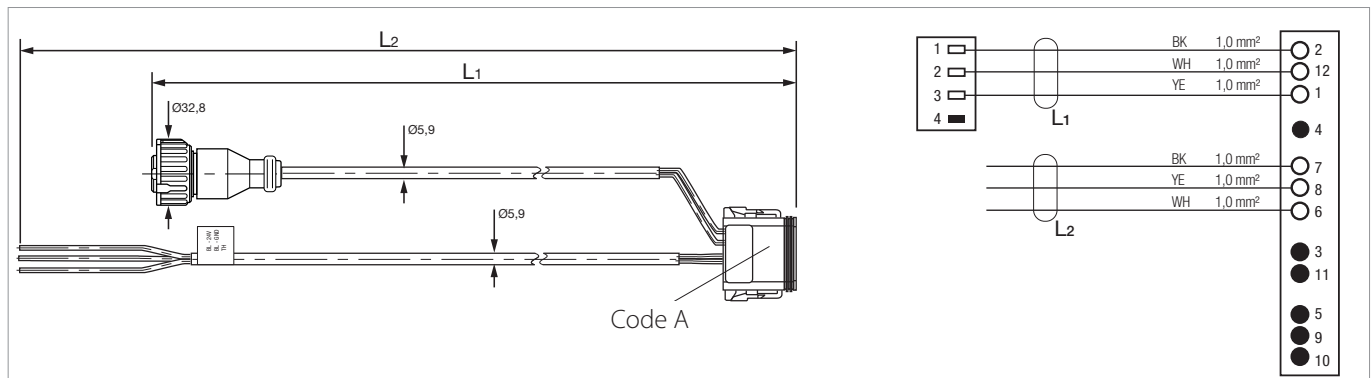
#### TEBS G2.2 Brake Modules



### In-Out Cable for ISO 12098 Connection and Speed Pulse/RtR or Lift Axle Control Connection



Part No.	Type No.	Cable length [m]	Comments
K027863 <sup>1)</sup>	-	L <sub>1</sub> = 6.5 L <sub>2</sub> = 7.0	L <sub>1</sub> = Speed Pulse/RtR or lift axle control (AUXIO 1) L <sub>2</sub> = Stop lamp supply (ISO 12098 - TEBS G2.2 Standard and Premium) and input (with open ends)
K027864 <sup>1)</sup>	-	L <sub>1</sub> = 6.5 L <sub>2</sub> = 15.0	

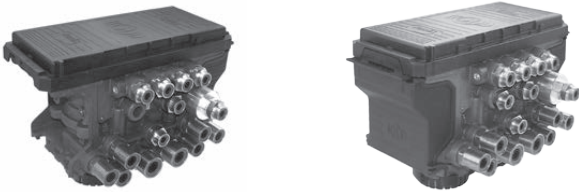


Part No.	Type No.	Cable length [m]	Comments
K027865 <sup>1)</sup>	-	L <sub>1</sub> = 2.0 L <sub>2</sub> = 7.0	L <sub>1</sub> = Speed Pulse/RtR/lift axle control (AUXIO 1 & 2) L <sub>2</sub> = Stop lamp supply (ISO 12098 - TEBS G2.2 Standard and Premium) and input (with open ends)

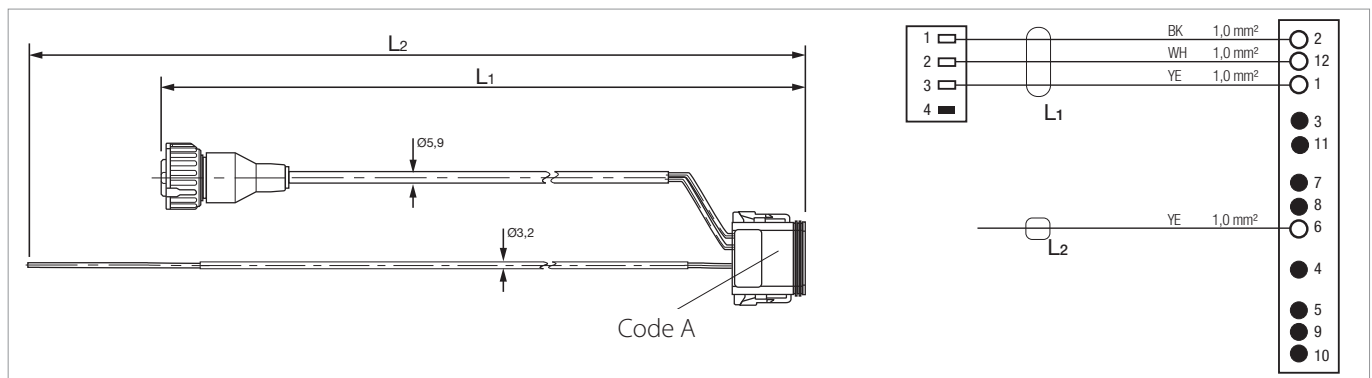
<sup>1)</sup> The part number will carry a suffix "N00" which defines that it is supplied without packaging. Example K027865N00

### Range Overview - TEBS G2.2 Cables (contd.)

TEBS G2.2  
Brake Modules

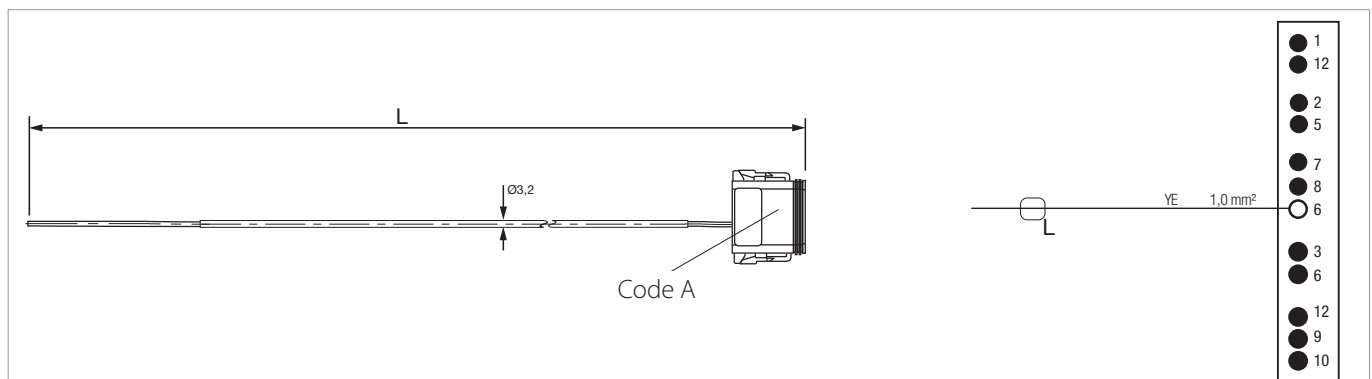


### In-Out Cable for Lift Axle Control Connection, Speed Pulse/RtR and Traction Help



Part No.	Type No.	Cable length [m]	Comments
K027857 <sup>1)</sup>	-	L <sub>1</sub> = 2.0 L <sub>2</sub> = 15.0	L <sub>1</sub> = lift axle control and/or speed pulse/RtR (AUXIO 1 & 2) L <sub>2</sub> = input with open end (e.g. Traction Help)

### In-Out Cable for Input



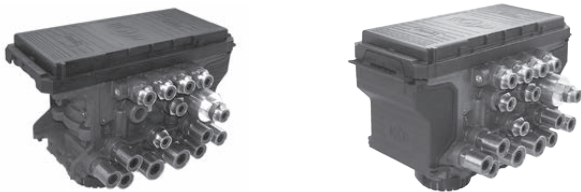
Part No.	Type No.	Cable length [m]	Comments
K027855 <sup>1)</sup>	-	L = 15.0	L = input with open end (e.g. Traction Help)

<sup>1)</sup> The part number will carry a suffix "N00" which defines that it is supplied without packaging. Example K027857N00

## TEBS G2 Cables for TEBS G2

### Range Overview - TEBS G2.2 Cables (contd.)

#### TEBS G2.2 Brake Modules



### In-Out Cable for iLvl (TEBS G2.2 Standard Plus and Premium only) and Diagnostic Socket

Part No.	Type No.	Cable length [m]	Comments
K097070 <sup>1)</sup>	-	L1 = 3.0 L2 = 3.0 L3 = 6.0	L1 = iLvl valve L2 = iLvl level sensor (with label) L3 = diagnostic socket

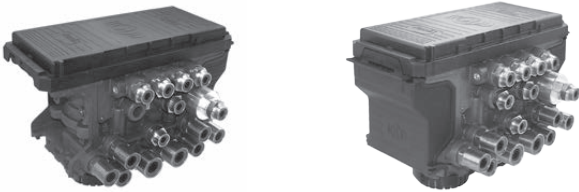
### In-Out Cable for iLvl (TEBS G2.2 Standard Plus and Premium only)

Part No.	Type No.	Cable length [m]	Comments
K097071 <sup>1)</sup>	-	L1 = 3.0 L2 = 3.0	L1 = iLvl valve L2 = iLvl level sensor (with label)

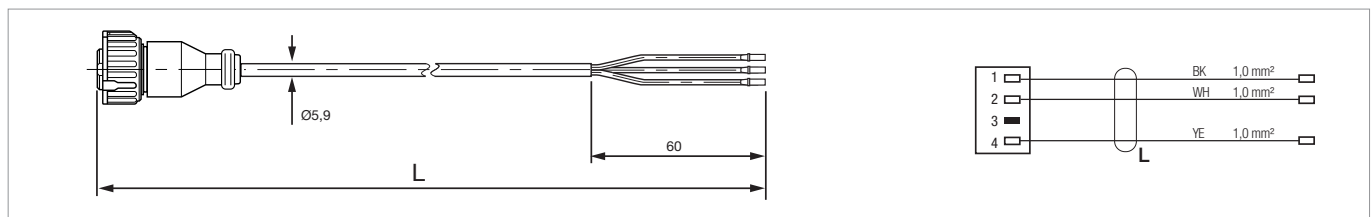
<sup>1)</sup> The part number will carry a suffix "N00" which defines that it is supplied without packaging. Example K027867N00

#### Range Overview - TEBS G2.2 Cables (contd.)

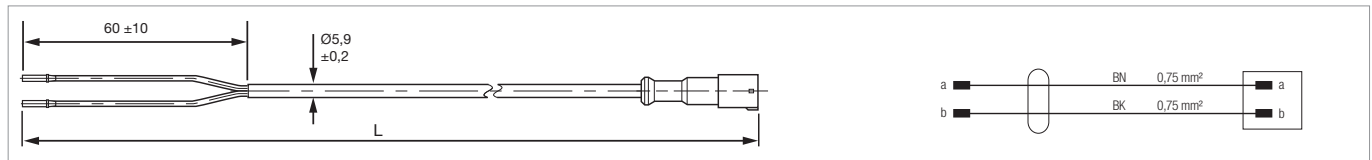
##### TEBS G2.2 Brake Modules



#### Modular Cable for various uses



Part No.	Type No.	Cable length [m]	Comments
K110195 <sup>1)</sup>	-	3.0	with open ends for various uses e.g. for iLvl Valve with TEBS G2.2 Standard Plus or Premium
K110198 <sup>1)</sup>	-	9.0	<b>Note</b> - not to be used for connecting iLvl Valve to TEPM-P (see page 18)

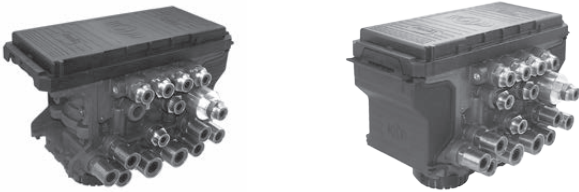


Part No.	Type No.	Cable length [m]	Comments
K002282	-	1.0	with open ends for use with K027832... (see page 16) as additional input to S-E or S-F on TEBS G2.2 Premium

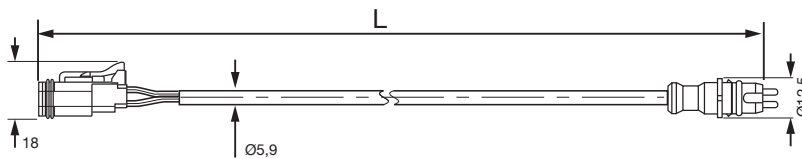
<sup>1)</sup> The part number will carry a suffix "N00" which defines that it is supplied without packaging. Example K110198N00

#### Range Overview - TEBS G2.2 Cables (contd.)

TEBS G2.2  
Brake Modules



#### Wheel Speed Sensor Connecting Cable



Part No.	Type No.	Cable length [m]	Comments
K0278322000	-	2.0	For connecting the wheel speed sensor to the brake module. <b>Note:</b> - These cables have both C and D coding and so can be used in either S-C or S-D connections. - If an extension cable is required use the I136756... series (see page 33). - Use with cable K002282 (see page 15) for additional input to S-E or S-F on TEBS G2.2 Premium.
K0278323000	-	3.0	
K0278324000	-	4.0	
K0278325000	-	5.0	
K0278326000	-	6.0	
K02783210000	-	10.0	



#### Range Overview - TEBS G2.2 Cables - 4S/3M System

TEBS G2.2 Premium  
Brake Module



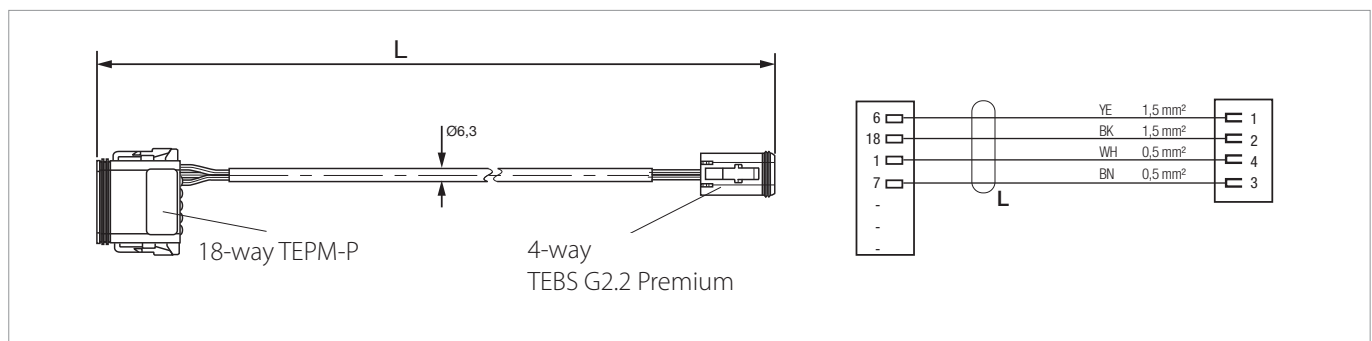
TEPM-S



TEPM-P

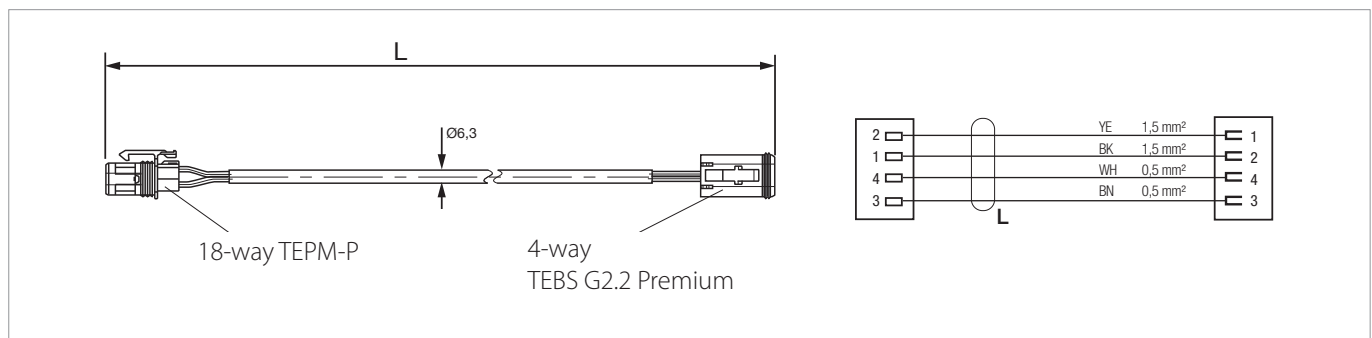


#### Auxiliary Cable for Trailer Electro-Pneumatic Module Premium (TEPM-P)



Part No.	Type No.	Cable length [m]	Comments
K097065 <sup>1)</sup>	-	3.0	with 4-way plug to fit 6-way Connector 2.3
K097066 <sup>1)</sup>	-	9.0	<b>Note:</b> - pin 3 of the 4-way plug connects to pin 6 of the 6-way socket in the TEBS Module and pin 4 connects to pin 5 of the 6-way socket in the TEBS Module
K097073 <sup>1)</sup>	-	12.0	

#### Auxiliary Cable for Trailer Electro-Pneumatic Module Standard (TEPM-S)



Part No.	Type No.	Cable length [m]	Comments
K097067 <sup>1)</sup>	-	3.0	with 4-way plug to fit 6-way Connector 2.3
K097069 <sup>1)</sup>	-	9.0	<b>Note:</b> - pin 3 of the 4-way plug connects to pin 6 of the 6-way socket in the TEBS Module and pin 4 connects to pin 5 of the 6-way socket in the TEBS Module

<sup>1)</sup> The part number will carry a suffix "N00" which defines that it is supplied without packaging. Example K097069N00

## TEBS G2 Cables for TEBS G2

### Range Overview - TEBS G2.2 Cables - 4S/3M System (contd.)

TEBS G2.2 Premium  
Brake Module



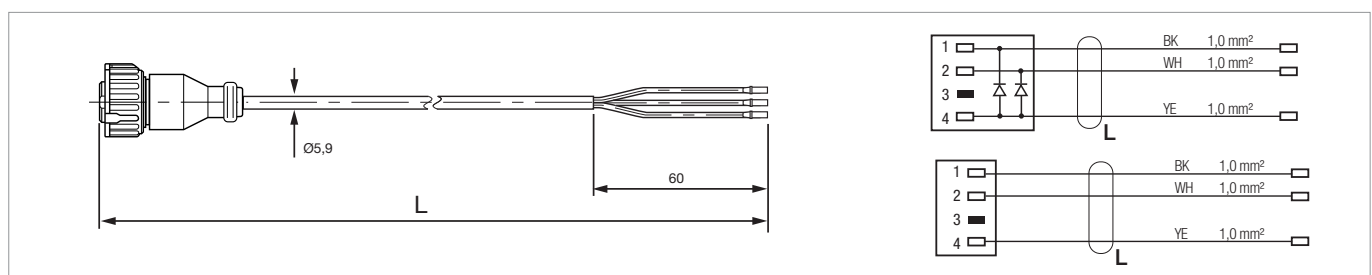
TEPM-S



TEPM-P

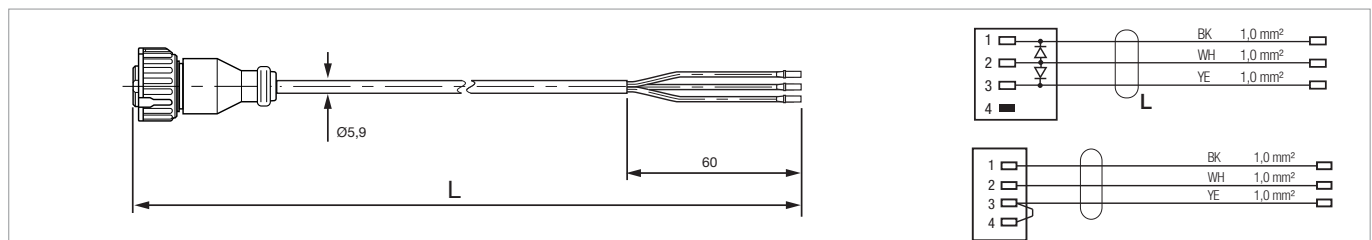


### Modular Cable for iLvl Valve (with and without diodes)



Part No.	Type No.	Cable length [m]	Comments
K111594 <sup>1)</sup>	-	2.0	With open ends. Plug with diodes for pulse-width modulation control of 12V iLvl Valve on front axle. <b>THIS CABLE MUST BE USED WHEN CONNECTING TO THE TEPM-P</b> This cable may be used for connecting to the TEBS G2.2 Brake Module
K110195 <sup>1)</sup>	-	3.0	With open ends. Plug without diodes <b>THIS CABLE CAN BE USED TO CONNECT THE iLVL VALVE ONLY TO THE TEBS G2.2 BRAKE MODULE AND TEPM-A</b> (see also page 14)
K110198 <sup>1)</sup>	-	9.0	

### Modular Cable for iLvl Valve (with and without diodes)



Part No.	Type No.	Cable length [m]	Comments
K095321 <sup>1)</sup>	-		With open ends. Plug with diodes for pulse-width modulation control of the 12V pressure control valve (PCV) <b>THIS CABLE MUST BE USED WHEN CONNECTING TO THE TEPM-P</b> This cable may be used for connecting to the TEBS G2.2 Brake Module
K002277 <sup>1)</sup>	-		With open ends. Plug without diodes <b>THIS CABLE CAN BE USED TO CONNECT THE PCV ONLY TO THE TEBS G2.2 BRAKE MODULE AND TEPM-A</b> This cable may be used for other applications (see page 40)
K002278 <sup>1)</sup>	-		
K002279 <sup>1)</sup>	-		

<sup>1)</sup> The part number will carry a suffix "N00" which defines that it is supplied without packaging. Example K002279N00

## TEBS G2 Cables for TEBS G2

### Range Overview - TEBS G2.0/2.1 & G2.2 Premium Cables - 4S/3M System

TEBS G2.0  
Brake Module



TEBS G2.1  
Brake Module



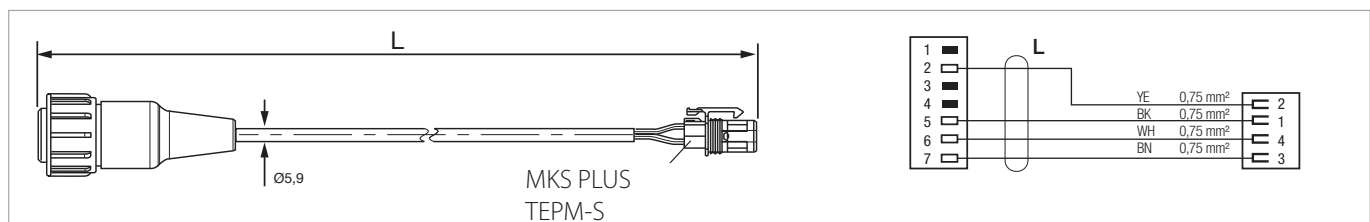
TEBS G2.2 Premium  
Brake Module



TEPM-S

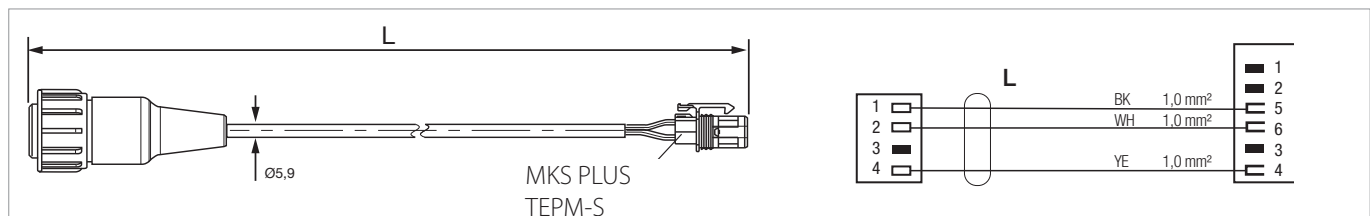


### Power and CAN Connecting Cable for Trailer Electro-Pneumatic Module (TEPM-S)



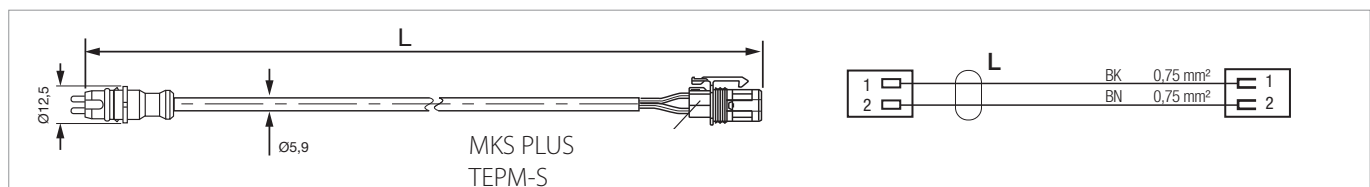
Part No.	Type No.	Cable length [m]	Comments
K027813 <sup>1)</sup>	-	3.0	for Trailer Electro-Pneumatic Module Standard (TEPM-S) via K022272 or K022279 (see page 32) connected to TEBS G2.0/G2.1/G2.2 Premium Brake Module

### Auxiliary Cable - TEPM-S



Part No.	Type No.	Cable length [m]	Comments
K044708 <sup>1)</sup>	-	3.0	for Pressure Sensor

### Wheel Speed Sensor Extension Cable - TEPM-S



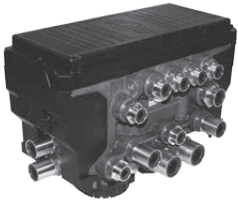
Part No.	Type No.	Cable length [m]	Comments
K027811 <sup>1)</sup>	-	2.0	For other wheel speed sensor extension cables see page 33
K027836 <sup>1)</sup>	-	3.0	
K027833 <sup>1)</sup>	-	6.0	

<sup>1)</sup> The part number will carry a suffix "N00" which defines that it is supplied without packaging. Example K027811N00

## TEBS G2 Cables for TEBS G2

### Range Overview - TEBS G2.0/2.1 & G2.2 Premium Cables - 4S/3M System (contd.)

TEBS G2.0  
Brake Module



TEBS G2.1  
Brake Module



TEBS G2.2 Premium  
Brake Module



TEPM-S



### Power and CAN Connecting Cable for Trailer Electro-Pneumatic Module (TEPM-P)

18-way  
TEPM-P

1	
2	
3	
4	
5	
6	
7	
8	
9	
10	
11	
12	
13	
14	
15	
16	
17	
18	

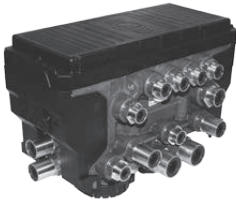
YE	0,75 mm <sup>2</sup>
BK	0,75 mm <sup>2</sup>
WH	0,75 mm <sup>2</sup>
BN	0,75 mm <sup>2</sup>

Part No.	Type No.	Cable length [m]	Comments
K027814 <sup>1)</sup>	-	3.0	for Trailer Electro-Pneumatic Module Premium (TEPM-P) via K022272 or K022279 (see page 32)
K027831 <sup>1)</sup>	-	6.0	connected to TEBS G2.0/G2.1/G2.2 Premium Brake Module

<sup>1)</sup> The part number will carry a suffix "N00" which defines that it is supplied without packaging. Example K027811N00

#### Range Overview - TEBS G2.0 and G2.1 Cables

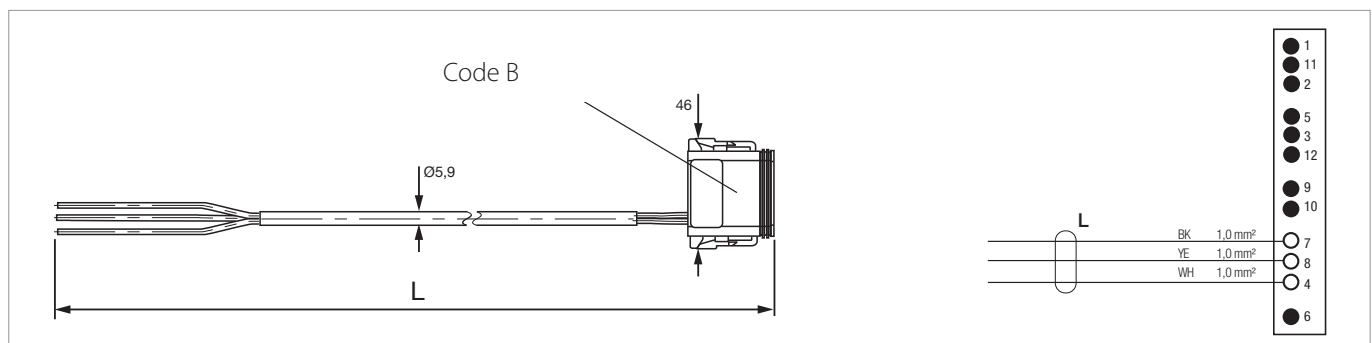
TEBS G2.0  
Brake Module



TEBS G2.1  
Brake Module

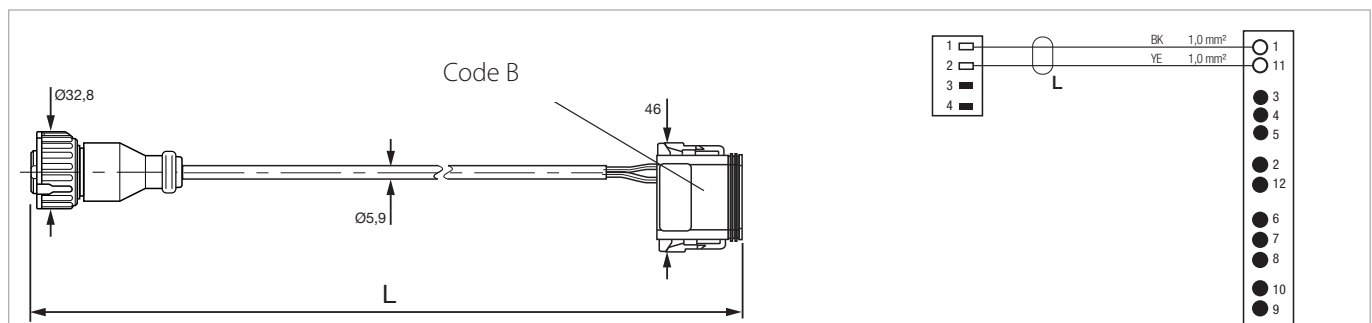


#### In-Out Cable for ISO 12098 Connection



Part No.	Type No.	Cable length [m]	Comments
K021345 <sup>1)</sup>	-	7.0	For ISO 12098 and tri-state input (with open ends)
K021346 <sup>1)</sup>	-	15.0	

#### In-Out Cable for Speed Pulse/RtR

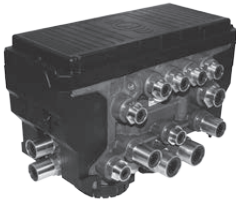


Part No.	Type No.	Cable length [m]	Comments
K021335 <sup>1)</sup>	-	6.5	Speed Pulse/RtR (AUXIO 1)

<sup>1)</sup> The part number will carry a suffix "N00" which defines that it is supplied without packaging. Example K021335N00

#### Range Overview - TEBS G2.0 and G2.1 Cables (contd.)

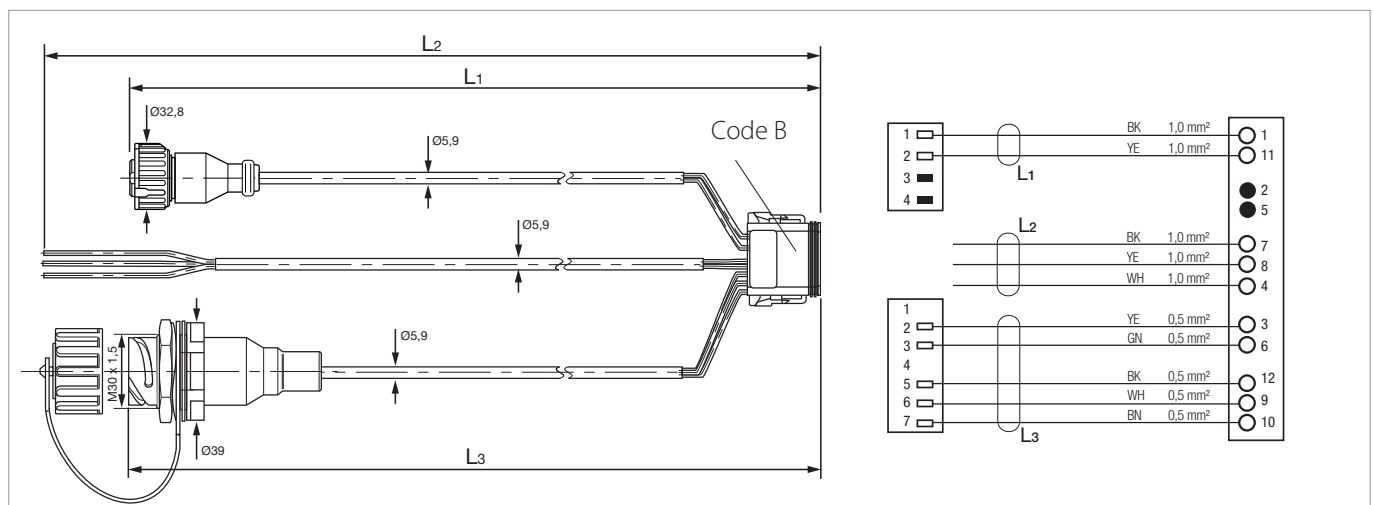
**TEBS G2.0**  
Brake Module



**TEBS G2.1**  
Brake Module



#### In-Out Cable for ISO 12098 Connection, Speed Pulse/RtR or Lift Axle Control and Diagnostic Socket

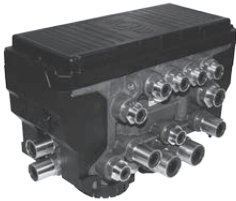


Part No.	Type No.	Cable length [m]	Comments
K021340 <sup>1)</sup>	-	L <sub>1</sub> = 6.5 L <sub>2</sub> = 7.0 L <sub>3</sub> = 6.0	L <sub>1</sub> = Speed Pulse/RtR or lift axle control (AUXIO 1) L <sub>2</sub> = Stop lamp supply (ISO 12098) and tri-state input (with open ends)
K021341 <sup>1)</sup>	-	L <sub>1</sub> = 6.5 L <sub>2</sub> = 15.0 L <sub>3</sub> = 6.0	L <sub>3</sub> = diagnostic socket

<sup>1)</sup> The part number will carry a suffix "N00" which defines that it is supplied without packaging. Example K021341N00

#### Range Overview - TEBS G2.0 and G2.1 Cables (contd.)

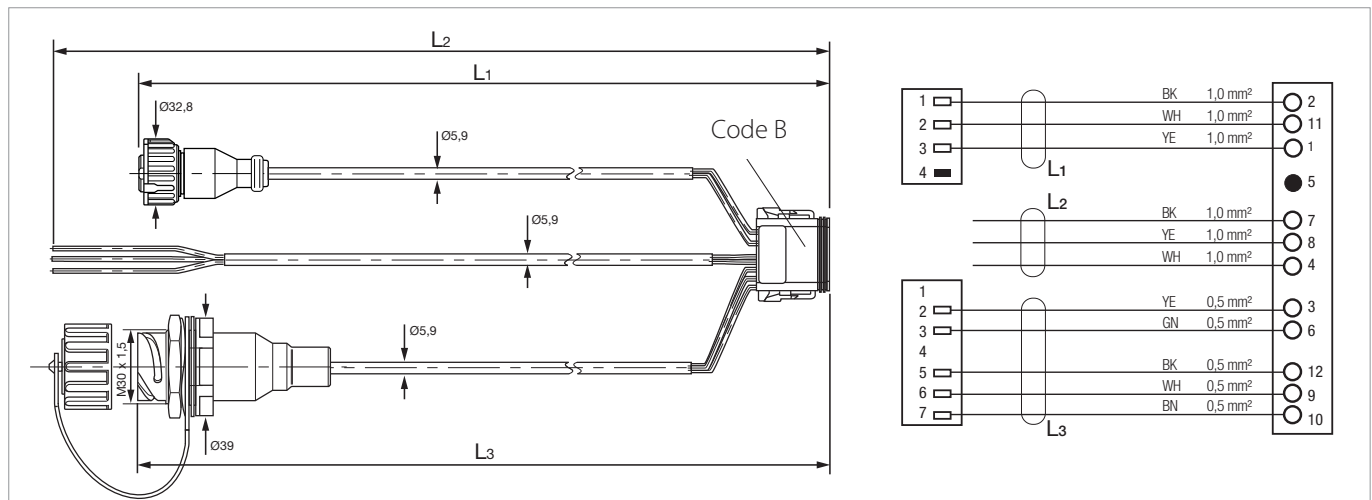
**TEBS G2.0**  
Brake Module



**TEBS G2.1**  
Brake Module



#### In-Out Cable for ISO 12098 Connection, Speed Pulse/RtR or Lift Axle Control and Diagnostic Socket (contd)



Part No.	Type No.	Cable length [m]	Comments
K021343 <sup>1)</sup>	-	L <sub>1</sub> = 2.0 L <sub>2</sub> = 15.0 L <sub>3</sub> = 6.0	L <sub>1</sub> = Speed Pulse/RtR and/or lift axle control (AUXIO 1 & 2) L <sub>2</sub> = Stop lamp supply (ISO 12098) and tri-state input (with open ends) L <sub>3</sub> = diagnostic socket

<sup>1)</sup> The part number will carry a suffix "N00" which defines that it is supplied without packaging. Example K021343N00

#### Range Overview - TEBS G2.0 and G2.1 Cables (contd.)

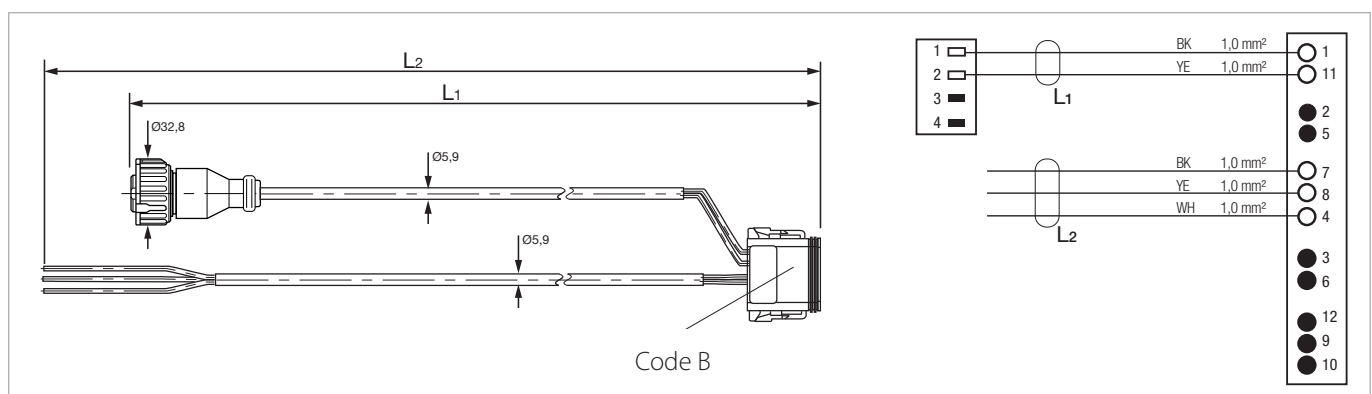
TEBS G2.0  
Brake Module



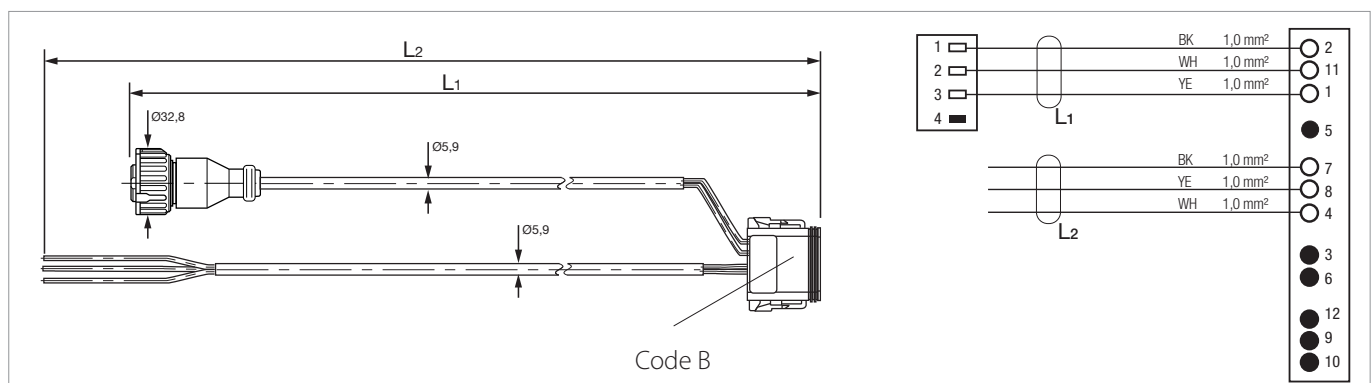
TEBS G2.1  
Brake Module



#### In-Out Cable for ISO 12098 Connection and Speed Pulse/RtR or Lift Axle Control Connection



Part No.	Type No.	Cable length [m]	Comments
K021336 <sup>1)</sup>	-	L <sub>1</sub> = 6.5 L <sub>2</sub> = 7.0	L <sub>1</sub> = Speed Pulse/RtR or lift axle control (AUXIO 1) L <sub>2</sub> = Stop lamp supply (ISO 12098) and tri-state input (with open ends)
K021337 <sup>1)</sup>	-	L <sub>1</sub> = 6.5 L <sub>2</sub> = 15.0	



Part No.	Type No.	Cable length [m]	Comments
K021338 <sup>1)</sup>	-	L <sub>1</sub> = 2.0 L <sub>2</sub> = 7.0	L <sub>1</sub> = Speed Pulse/RtR and/or lift axle control (AUXIO 1 & 2) L <sub>2</sub> = Stop lamp supply (ISO 12098) and tri-state input (with open ends)

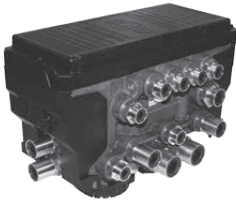
<sup>1)</sup> The part number will carry a suffix "N00" which defines that it is supplied without packaging. Example K021338N00



## TEBS G2 Cables for TEBS G2

### Range Overview - TEBS G2.0 and G2.1 Cables (contd.)

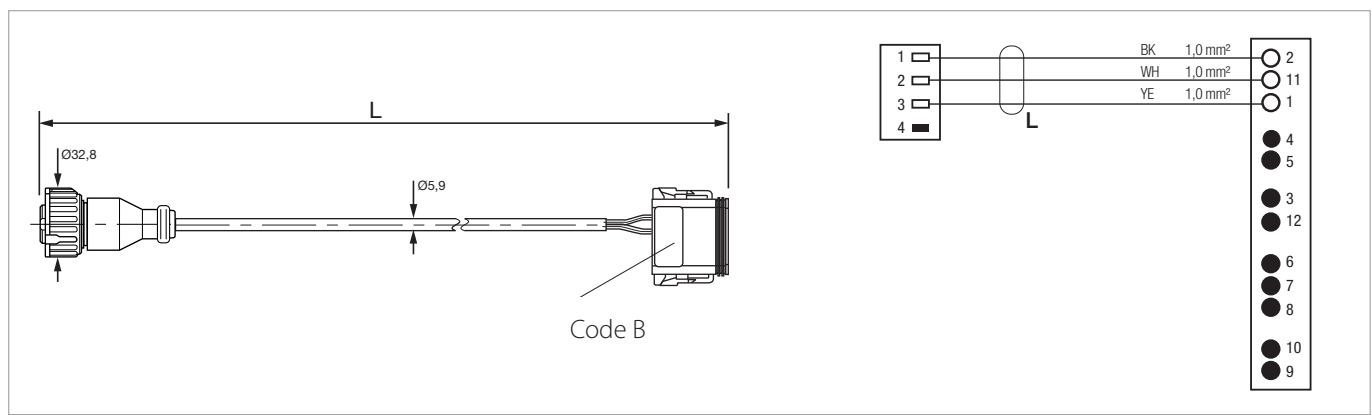
TEBS G2.0  
Brake Module



TEBS G2.1  
Brake Module

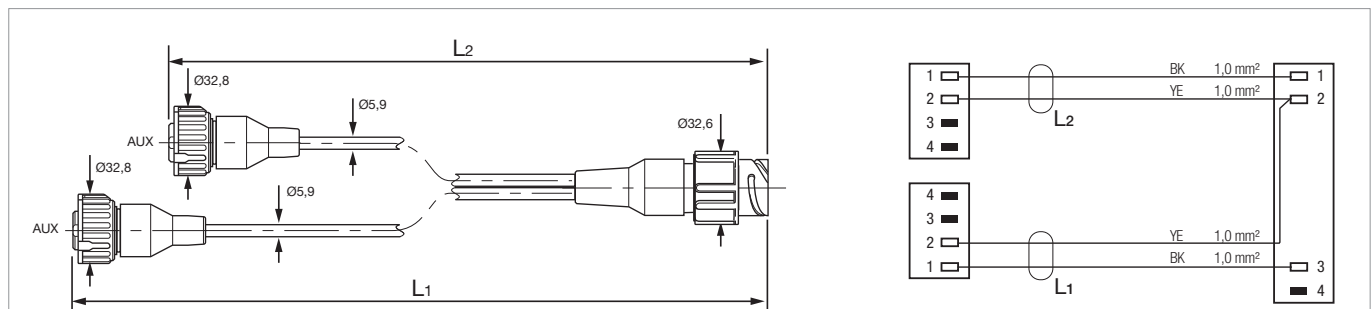


### In-Out Cable with Bayonet Connector



Part No.	Type No.	Cable length [m]	Comments
K028585 <sup>1)</sup>	-	2.0	for use with Bayonet Splitter K027542 (AUXIO 1 & 2) (see below)

### Bayonet Splitter



Part No.	Type No.	Cable length [m]	Comments
K027542 <sup>1)</sup>	-	L <sub>1</sub> = 4.5 L <sub>2</sub> = 1.0	for use with In-Out Cable K028585 (see above)

<sup>1)</sup> The part number will carry a suffix "N00" which defines that it is supplied without packaging. Example K027542N00

#### Range Overview - TEBS G2.0 and G2.1 Cables (contd.)

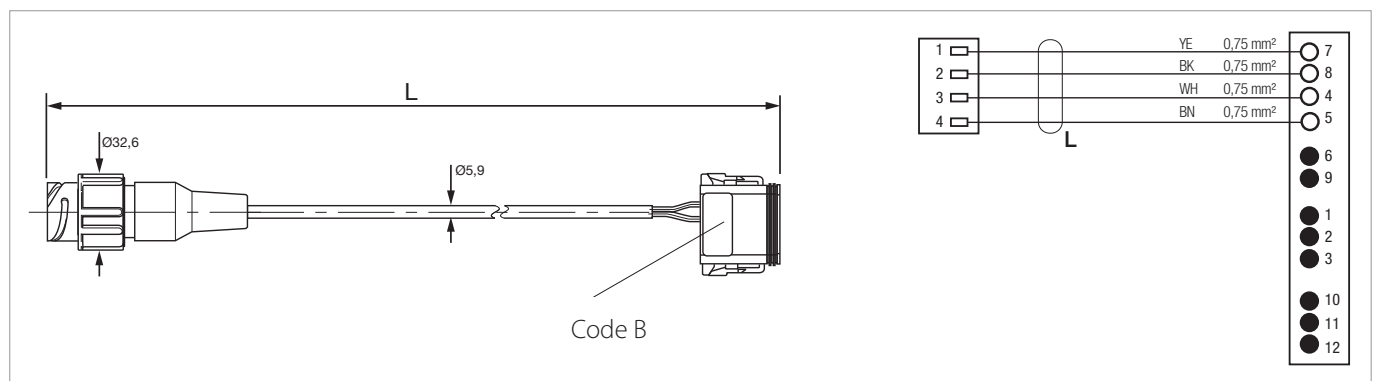
TEBS G2.0  
Brake Module



TEBS G2.1  
Brake Module



#### In-Out Cable with Bayonet Connector

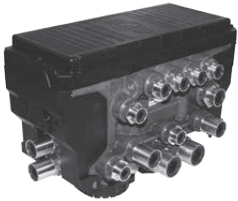


Part No.	Type No.	Cable length [m]	Comments
K028586 <sup>1)</sup>	-	1.5	for Stop Lamp and Tri-state

<sup>1)</sup> The part number will carry a suffix "N00" which defines that it is supplied without packaging. Example K028586N00

### Range Overview - TEBS G2 Cables

TEBS G2.0  
Brake Module



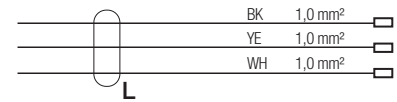
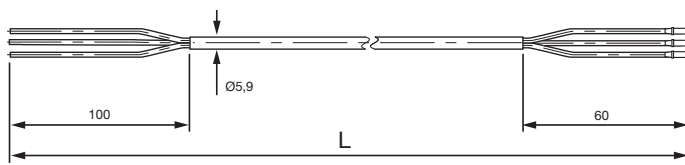
TEBS G2.1  
Brake Module



TEBS G2.2  
Brake Modules

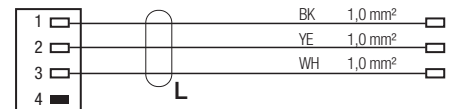
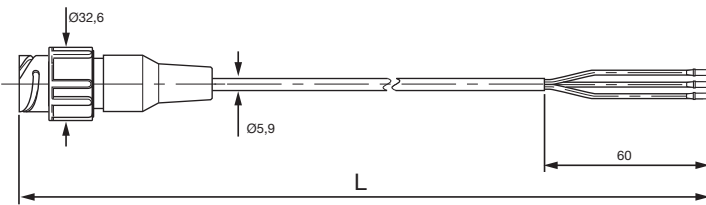


### Modular Cable with open ends



Part No.	Type No.	Cable length [m]	Comments
K021643 <sup>1)</sup>	-	7.0	for several connections such as Stop Lamp or Tri-state
K021644 <sup>1)</sup>	-	15.0	

### Modular Cable with Bayonet Connector



Part No.	Type No.	Cable length [m]	Comments
K010715 <sup>1)</sup>	-	1.0	for Stop Lamp or Traction Help (TH) or advanced Lift Axle Control (LLTH) with open ends
K010716 <sup>1)</sup>	-	7.0	

<sup>1)</sup> The part number will carry a suffix "N00" which defines that it is supplied without packaging. Example K010716N00

## TEBS G2 Cables for TEBS G2

### Range Overview - TEBS G2 Cables

TEBS G2.0  
Brake Module



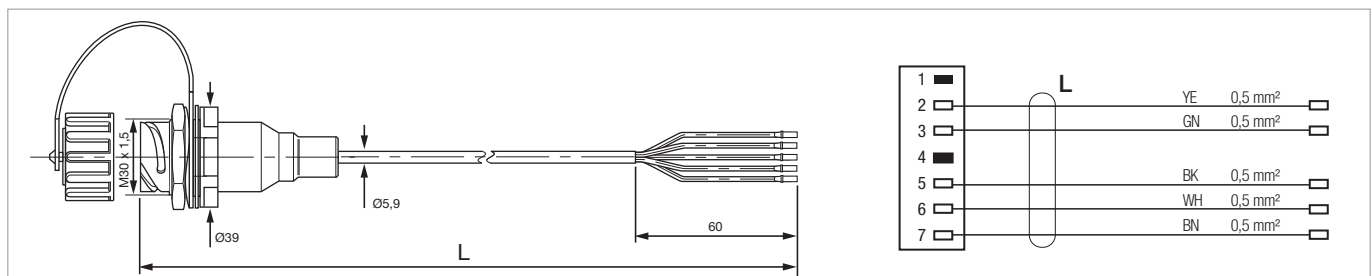
TEBS G2.1  
Brake Module



TEBS G2.2  
Brake Modules

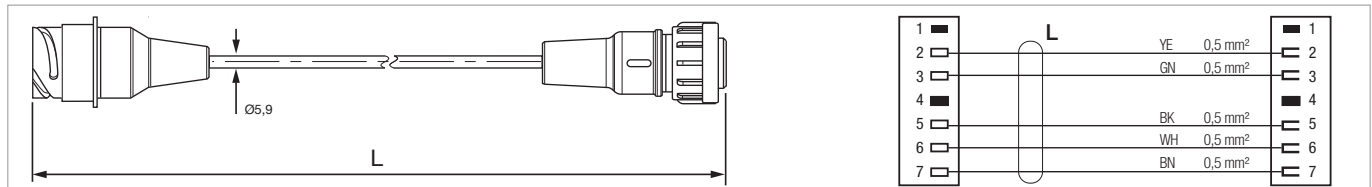


### Modular Cable with Diagnostic Socket (5 pin)



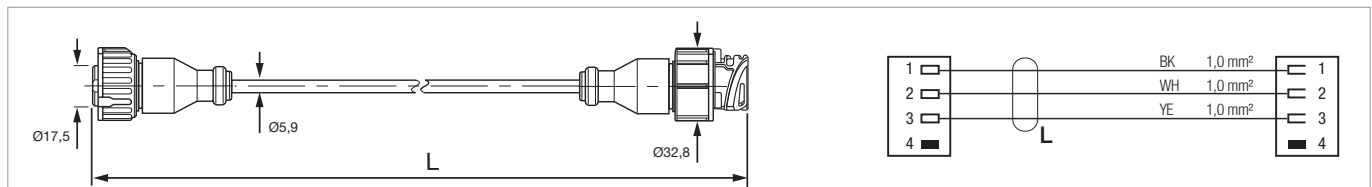
Part No.	Type No.	Cable length [m]	Comments
K010713 <sup>1)</sup>	-	6.0	e.g. for Magic Eye (TEBS G2.0/G2.1 only)

### Diagnostic Socket Extension Cable (5 pin)



Part No.	Type No.	Cable length [m]	Comments
K010714 <sup>1)</sup>	-	11.0	extension cable for diagnostic cable K010713

### Bayonet Connector (3 pin) Extension Cable



Part No.	Type No.	Cable length [m]	Comments
K013218 <sup>1)</sup>	-	4.0	for several features

<sup>1)</sup> The part number will carry a suffix "N00" which defines that it is supplied without packaging. Example K013218N00

## TEBS G2 Cables for TEBS G2

### Range Overview - TEBS G2.0 and G2.1 Cables - 4S/3M System

TEBS G2.0  
Brake Module



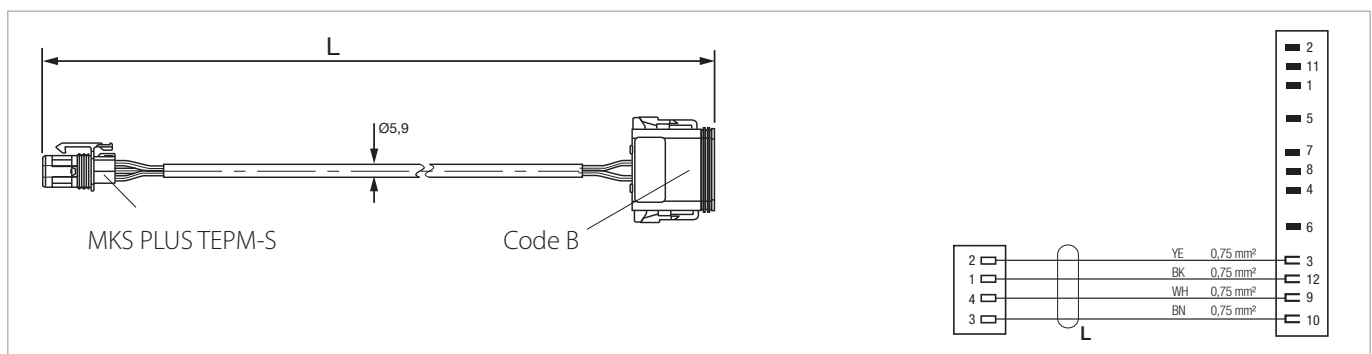
TEBS G2.1  
Brake Module



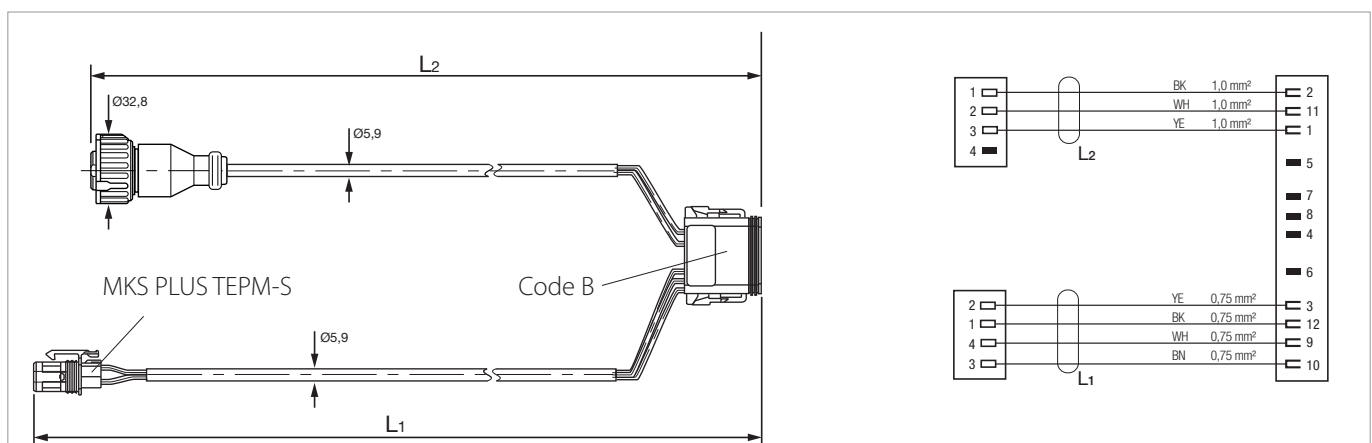
TEPM-S



### In-Out Cables for TEPM-S



Part No.	Type No.	Cable length [m]	Comments
K058332 <sup>1)</sup>	-	2.0	For connecting TEBS G2.0/G2.1 with third modulator (TEPM-S)
K058333 <sup>1)</sup>	-	7.0	
K058334 <sup>1)</sup>	-	9.0	

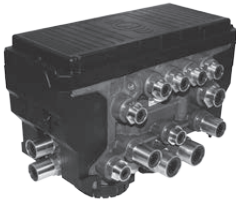


Part No.	Type No.	Cable length [m]	Comments
K058340 <sup>1)</sup>	-	L <sub>1</sub> = 3.0 L <sub>2</sub> = 2.0	L <sub>1</sub> for connecting TEBS G2.0/G2.1 with third modulator (TEPM-S) L <sub>2</sub> for AUXIO 1 & 2 connections

<sup>1)</sup> The part number will carry a suffix "N00" which defines that it is supplied without packaging. Example K058340N00

### Range Overview - TEBS G2.0 and G2.1 Cables - 4S/3M System (contd.)

**TEBS G2.0  
Brake Module**



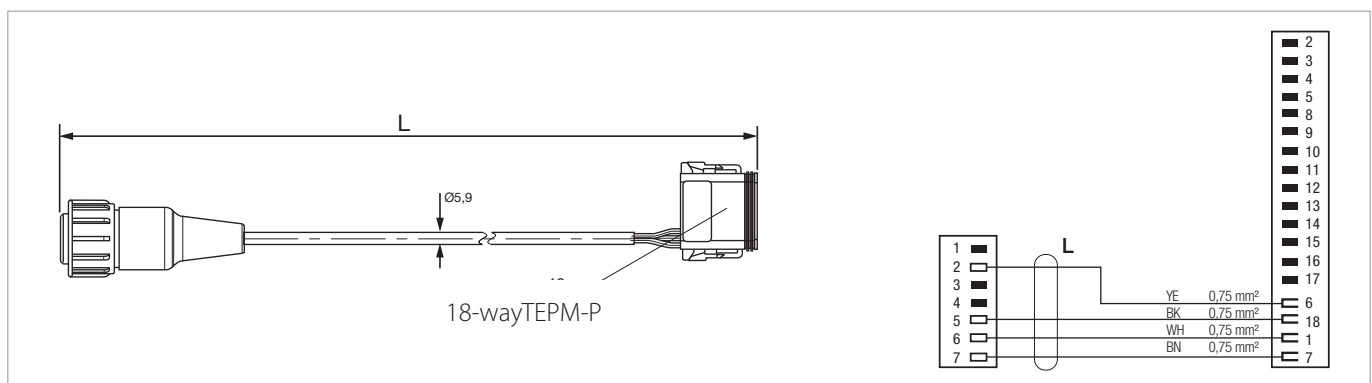
**TEBS G2.1  
Brake Module**



**TEPM-S**

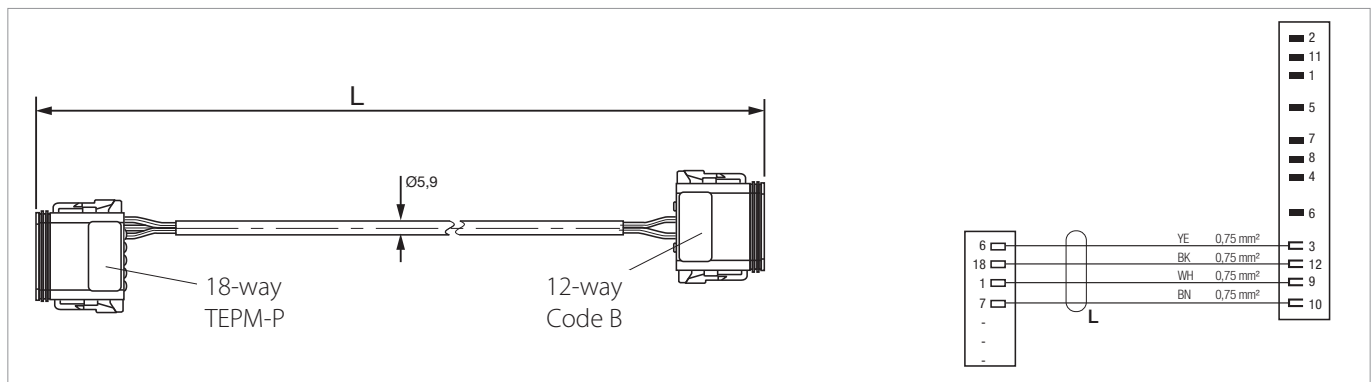


### Power and CAN Connecting Cable for Trailer Electro-Pneumatic Module (TEPM-P)



Part No.	Type No.	Cable length [m]	Comments
K027814 <sup>1)</sup>	-	3.0	for Trailer Electro-Pneumatic Module Premium (TEPM-P) via K022272 or K022279 (see page 32) connected to TEBS G2.0/G2.1 Brake Module

### Power Supply Cables for TEPM-P



Part No.	Type No.	Cable length [m]	Comments
K058249 <sup>1)</sup>	-	7.0	For connecting TEBS G2.0/G2.1 with third modulator (TEPM-P)
K058250 <sup>1)</sup>	-	9.0	

<sup>1)</sup> The part number will carry a suffix "N00" which defines that it is supplied without packaging. Example K058250N00w

## TEBS G2 Cables for TEBS G2

### Range Overview - TEBS G2.0 and G2.1 Cables - 4S/3M System (contd.)

TEBS G2.0  
Brake Module



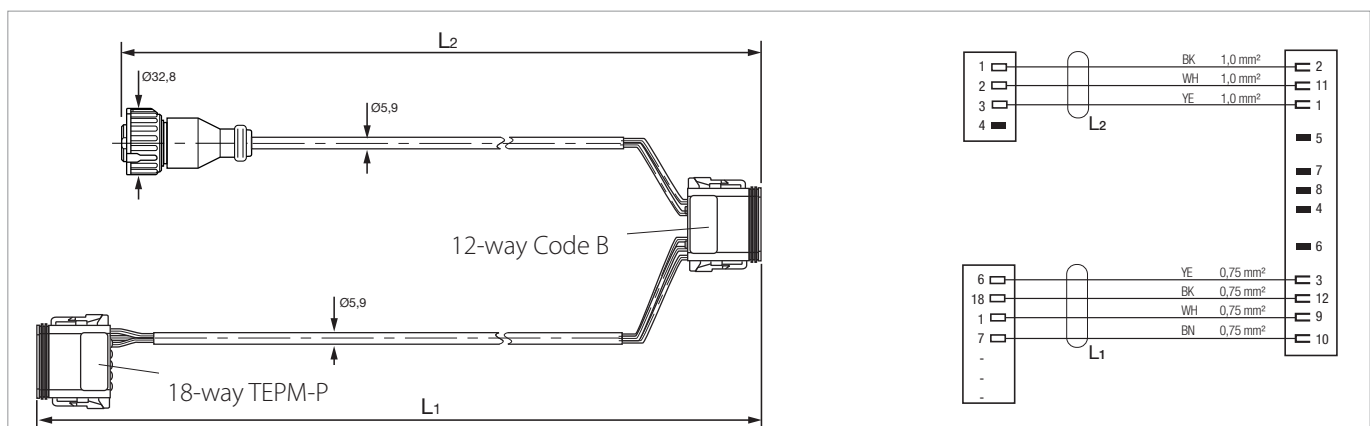
TEBS G2.1  
Brake Module



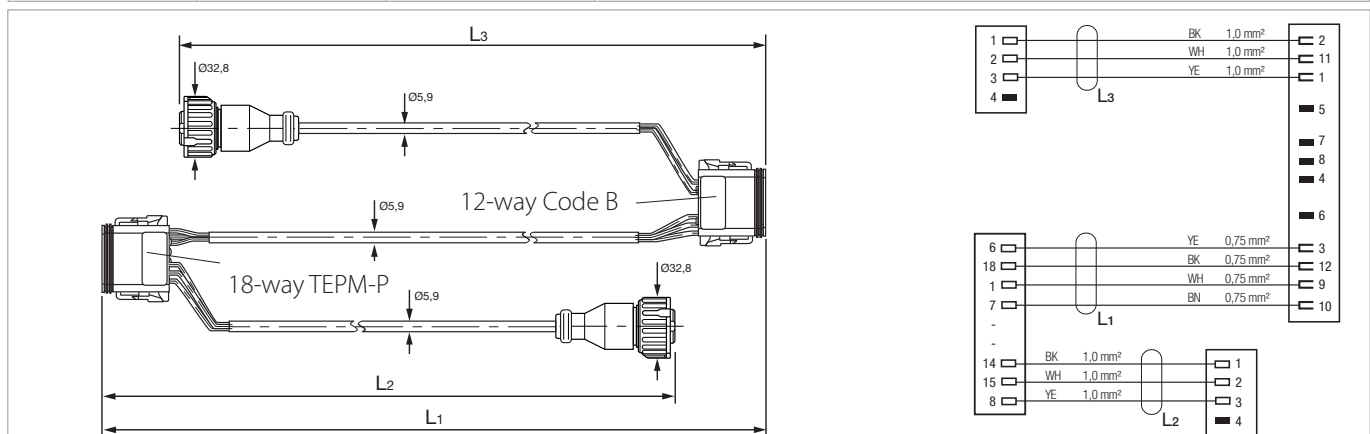
TEPM-S



### Power Supply and In-Out Cable for TEPM-P



Part No.	Type No.	Cable length [m]	Comments
K058256 <sup>1)</sup>	-	L <sub>1</sub> = 9.0 L <sub>2</sub> = 6.5	L <sub>1</sub> for connecting TEBS G2 with third modulator (TEPM-P) L <sub>2</sub> for AUXIO 1 & 2 connections



Part No.	Type No.	Cable length [m]	Comments
K058344 <sup>1)</sup>	-	L <sub>1</sub> = 3.0 L <sub>2</sub> = 6.5 L <sub>3</sub> = 3.0	L <sub>1</sub> for connecting TEBS G2 with third modulator (TEPM-P) L <sub>2</sub> for TEPM-P AUXIO connections L <sub>3</sub> for AUXIO connection, e.g. iCargo PCV

<sup>1)</sup> The part number will carry a suffix "N00" which defines that it is supplied without packaging. Example K058344N00

## TEBS G2 Cables for TEBS G2

### Range Overview - TEBS G2 Cables - 4S/3M System and other connections

TEBS G2.0  
Brake Module



TEBS G2.1  
Brake Module



TEBS G2.2  
Brake Modules



TEPM-S



TEPM-P



### Auxiliary Cables

Part No.	Type No.	Cable length [m]	Comments
K022272 <sup>1)</sup>	-	4.0	For: TEPM in 4S/3M system (TEBS G2.0/G2.1/G2.2 Premium only) or Tyre Pressure Monitoring System (TPMS) (all TEBS Modules) or Diagnostics/TIM G2 (all TEBS Modules) or iTAP (TEBS G2.2 only)
K022279 <sup>1)</sup>	-	6.0	

### 5 V CAN Splitter Cable

Part No.	Type No.	Cable length [m]	Comments
K027815 <sup>1)</sup>	-	4.0	For: TEPM in 4S/3M system (TEBS G2.0/G2.1/G2.2 Premium only) and/or Tyre Pressure Monitoring System (TPMS) (all TEBS Modules) and/or Diagnostics/TIM G2 (all TEBS Modules) or iTAP (TEBS G2.2 only)

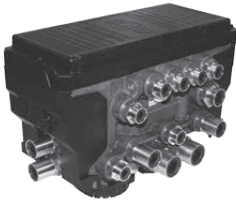
<sup>1)</sup> The part number will carry a suffix "N00" which defines that it is supplied without packaging. Example K027815N00



## TEBS G2 Cables for TEBS G2

### Range Overview - Auxiliary Cables for TEBS G2.0/G2.1/G2.2, TEPM-P and TEPM-S

TEBS G2.0  
Brake Module



TEBS G2.1  
Brake Module



TEBS G2.2  
Brake Modules



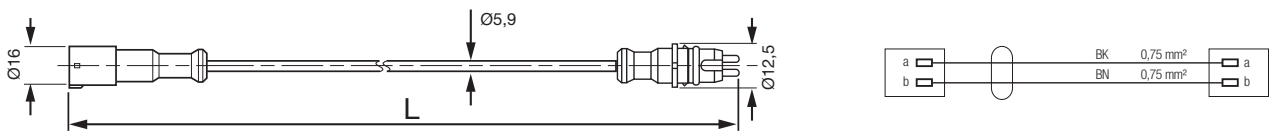
TEPM-S



TEPM-P



### Wheel Speed Sensor Extension Cable



Part No.	Type No.	Cable length [m]	Comments
11367562000	EK3130	2.0	<b>TEBS G2.0, TEBS G2.1, TEPM-P</b> For extending the wheel speed sensor cable to enable connection to the brake module.
11367563000		3.0	
11367564000		4.0	
11367565000		5.0	<b>TEBS G2.2</b>
11367566000		6.0	For extending the connecting cable from the wheel speed sensor (see page 16).
11367568000		8.0	<b>TEPM-S</b>
113675610000		10.0	For extending the connecting cable from the wheel speed sensor (see page 19).
113675612000		12.0	
113675615000		15.0	

### Range Overview - TEBS G2 Cables - Intelligent Trailer Access Point (iTAP)

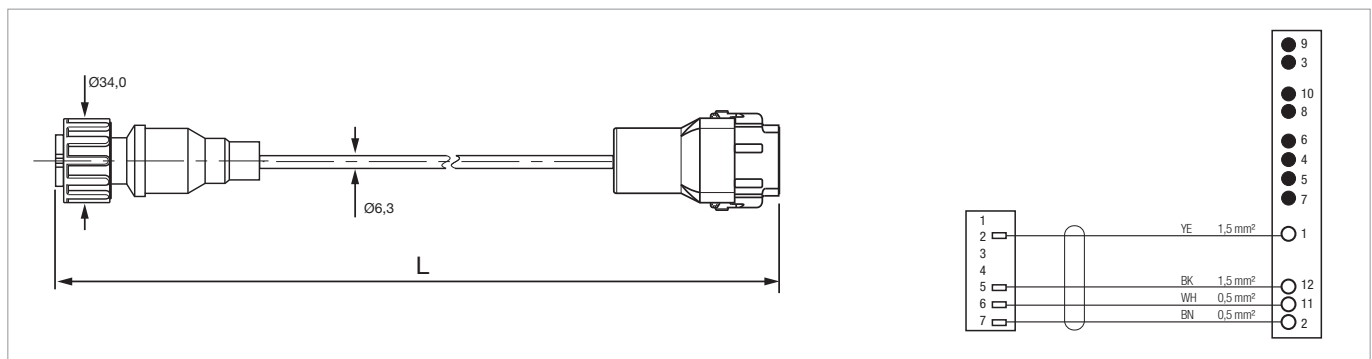
iTAP ECU



iTAP Camera

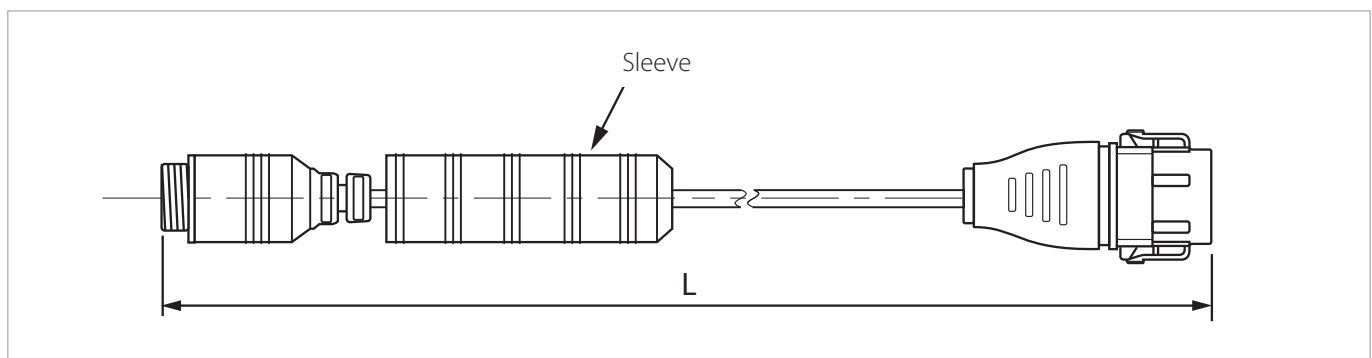


### Auxiliary Cable for iTAP Wireless Interface



Part No.	Type No.	Cable length [m]	Comments
K097075 <sup>1)</sup>	-	0.5	
K097076 <sup>1)</sup>	-	4.0	

### Adapter cable for single camera



Part No.	Type No.	Cable length [m]	Comments
K027883	-	0.5	with sleeve to cover metal parts on mating connectors

<sup>1)</sup> The part number will carry a suffix "N00" which defines that it is supplied without packaging. Example K027811N00

#### Range Overview - TEBS G2 Cables - Intelligent Trailer Access Point (iTAP) - contd.

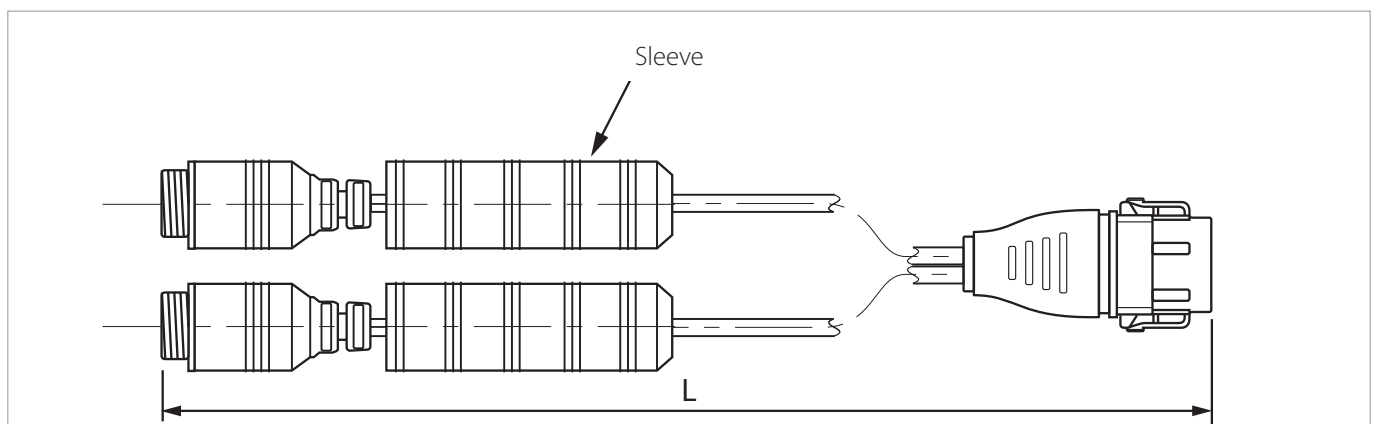
iTAP ECU



iTAP Camera

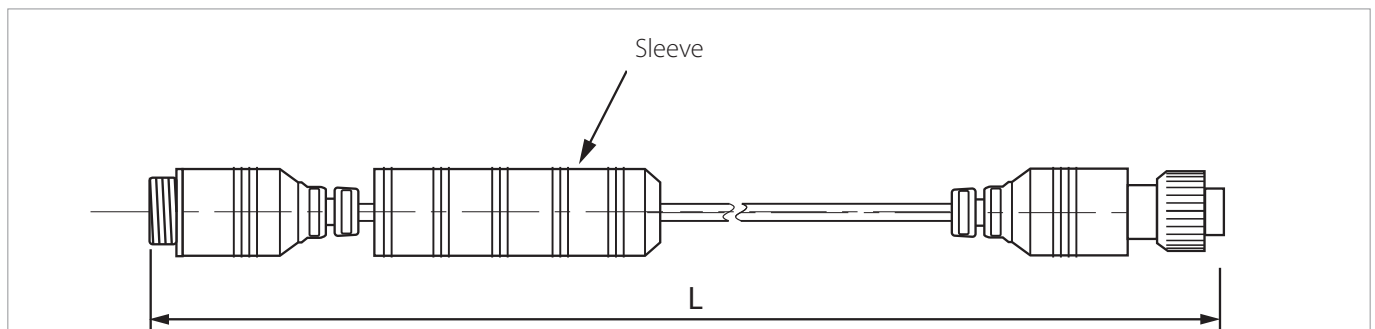


#### Adapter cable for two camera system



Part No.	Type No.	Cable length [m]	Comments
K027885	-	0.5	with sleeve to cover metal parts on mating connectors

#### Extension cable for iTAP Camera



Part No.	Type No.	Cable length [m]	Comments
K027891	-	10.0	with sleeve to cover metal parts on mating connectors
K027893	-	20.0	

## TEBS G2 Cables for TEBS G2

### Range Overview - TEBS G2 Cables - Trailer Roadtrain Module (TRM)

#### Trailer Roadtrain Module



#### Power Cable (for semi-trailers) with ISO 7638 Socket

Part No.	Type No.	Cable length [m]	Comments
K027841 <sup>1)</sup>	-	6.0	with 6 mm <sup>2</sup> cable for pins 1 and 4

#### Power Cable (for drawbar and centre-axle trailers) with ISO 7638 Plug

Part No.	Type No.	Cable length [m]	Comments
K027840 <sup>1)</sup>	-	6.0	with 6 mm <sup>2</sup> cable for pins 1 and 4
K027881 <sup>1)</sup>	-	10.0	
K027884 <sup>1)</sup>	-	13.0	
K027887 <sup>1)</sup>	-	17.0	

#### Power Extension Cable

Part No.	Type No.	Cable length [m]	Comments
K027842 <sup>1)</sup>	-	6.0	with 6 mm <sup>2</sup> cable for pins 1 and 4

<sup>1)</sup> The part number will carry a suffix "N00" which defines that it is supplied without packaging. Example K027842N00

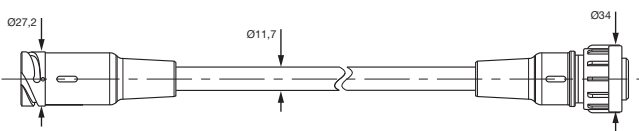
## TEBS G2 Cables for TEBS G2

### Range Overview - TEBS G2 Cables - Trailer Roadtrain Module (TRM) (contd.)

#### Trailer Roadtrain Module

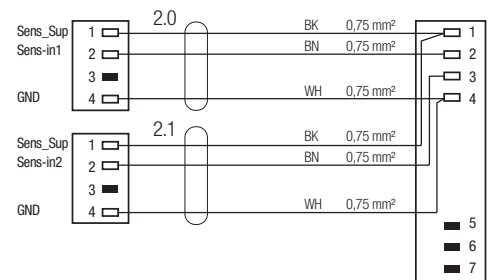
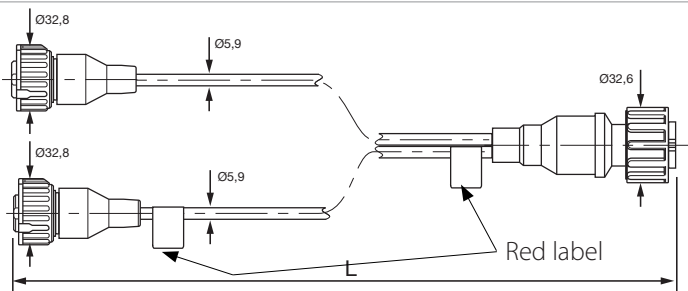


### Power Extension Cable (contd.)

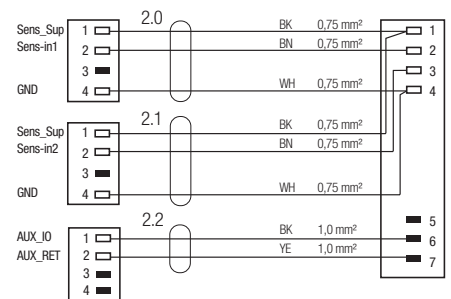
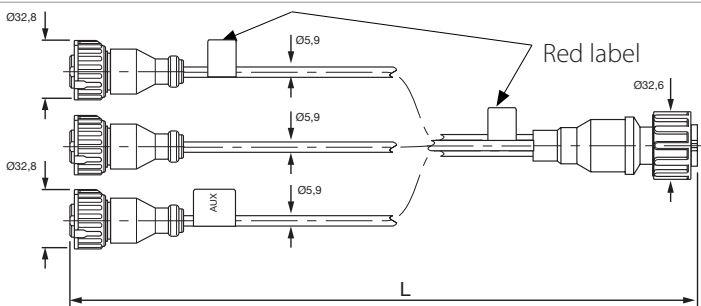


Part No.	Type No.	Cable length [m]	Comments
K027843 <sup>1)</sup>	-	2.0	
K127188 <sup>1)</sup>	-	4.0	

### Bayonet Splitter



Part No.	Type No.	Cable length [m]	Comments
K027838 <sup>1)</sup>	-	3.0	For Pressure Sensors

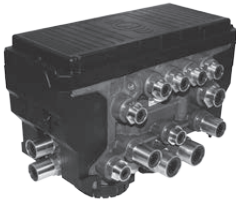


Part No.	Type No.	Cable length [m]	Comments
K027839 <sup>1)</sup>	-	3.0	For Pressure Sensors and other auxiliary input

## TEBS G2 Cables for TEBS G2

### Range Overview - TEBS G2 Cables - Tyre Pressure Monitoring System (TPMS)

TEBS G2.0  
Brake Module



TEBS G2.1  
Brake Module



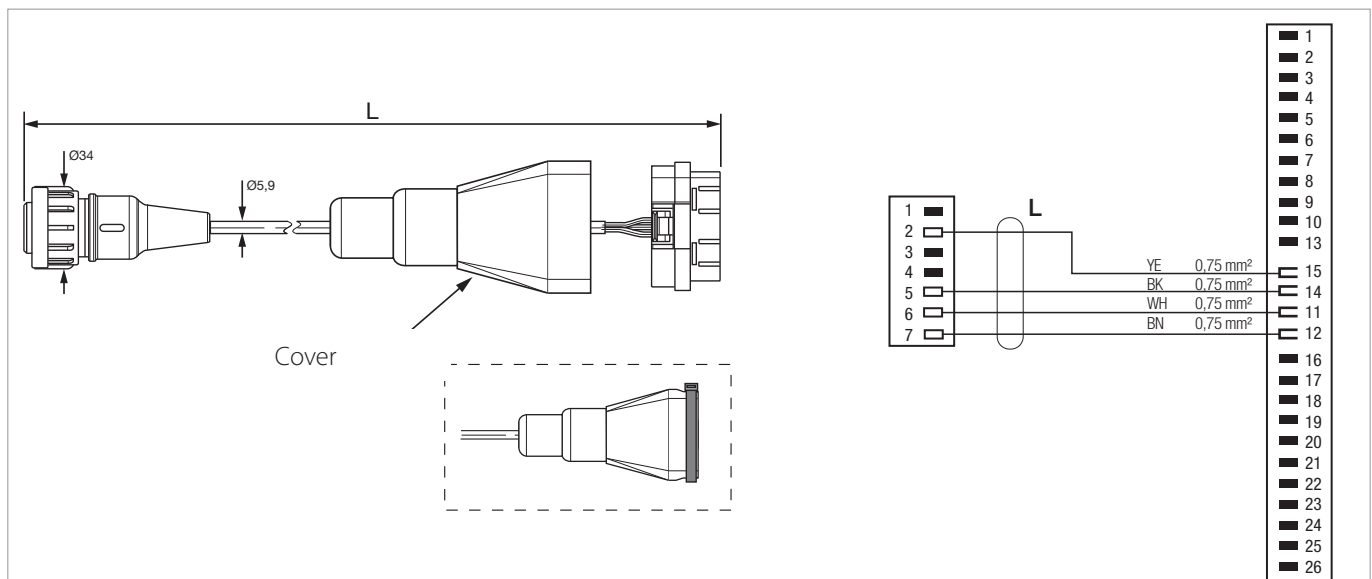
TEBS G2.2  
Brake Modules



TPMS Wireless  
Gateway Receiver



### Connecting Cable

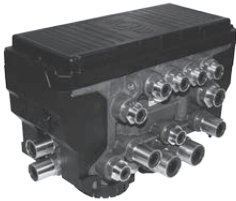


Part No.	Type No.	Cable length [m]	Comments
K027823 <sup>1)</sup>	-	0.9	to connect the TPMS module via K027815 and K022272 or K022279 (see page 32) to the TEBS G2 Brake Module. <b>Note:</b> Secure the cover with a cable tie after installation to meet ADR regulations

1) The part number will carry a suffix "N00" which defines that it is supplied without packaging. Example K027823N00

### Range Overview - Auxiliary Cables for TEBS G2

TEBS G2.0  
Brake Module



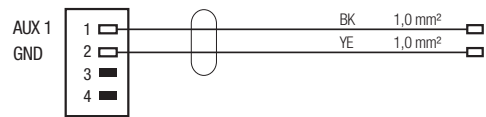
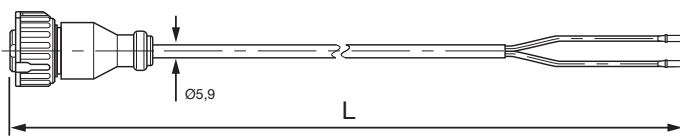
TEBS G2.1  
Brake Module



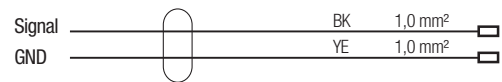
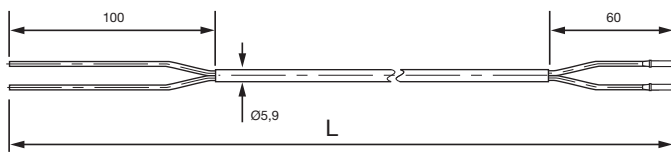
TEBS G2.2  
Brake Modules



### Connecting Cable for auxiliaries (2 pins)



Part No.	Type No.	Cable length [m]	Comments
K002274 <sup>1)</sup>	-	2.0	with one end open (with pins to suit the Deutsch connector) for several AUX connections
K002275 <sup>1)</sup>	-	6.5	
K002276 <sup>1)</sup>	-	10.0	
K017003 <sup>1)</sup>	-	15.0	



Part No.	Type No.	Cable length [m]	Comments
K002280 <sup>1)</sup>	-	7.0	with two ends open (one with pins to suit the Deutsch connector) for several AUX connections
K002281 <sup>1)</sup>	-	15.0	

<sup>1)</sup> The part number will carry a suffix "N00" which defines that it is supplied without packaging. Example K002281N00

## TEBS G2 Cables for TEBS G2

### Range Overview - Auxiliary Cables for TEBS G2 (contd.)

TEBS G2.0  
Brake Module



TEBS G2.1  
Brake Module



TEBS G2.2  
Brake Modules



### Connecting Cable for auxiliaries with Bayonet Connector (3 pins)

Part No.	Type No.	Cable length [m]	Comments
K002277 <sup>1)</sup>	-	3.0	for external sensor input from mechanical, pneumatic or hydraulic suspension (see also page 18)
K002278 <sup>1)</sup>	-	9.0	
K002279 <sup>1)</sup>	-	15.0	

### Cable with open ends

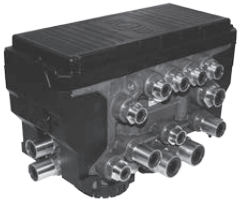
Part No.	Type No.	Cable length [m]	Comments
K016629 <sup>1)</sup>	-	7.0	for Stop Lamp (for example)
K016630 <sup>1)</sup>	-	15.0	

<sup>1)</sup> The part number will carry a suffix "N00" which defines that it is supplied without packaging. Example K016630N00



#### Range Overview - Auxiliary Cables for TEBS G2 (contd.)

TEBS G2.0  
Brake Module



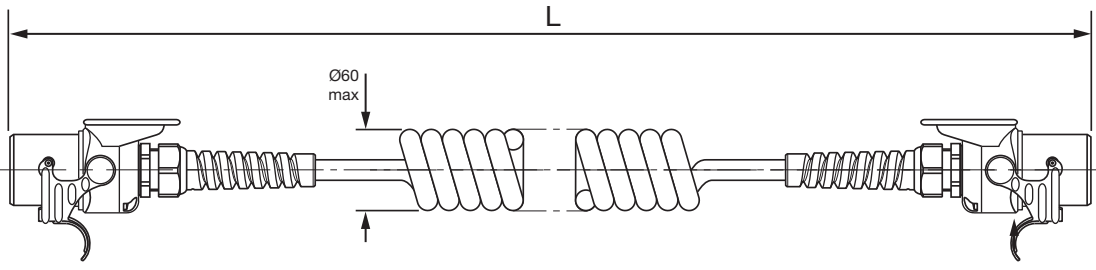
TEBS G2.1  
Brake Module



TEBS G2.2  
Brake Modules



#### Connecting Cable - towing vehicle to trailer



Part No.	Type No.	Cable length [m]	Comments
K004098 <sup>1)</sup>	EK3150	1.0 - 4.0	With 7 pin connectors, for connecting ABS or EBS With buckling protection

<sup>1)</sup> The part number will carry a suffix "N00" which defines that it is supplied without packaging. Example K027811N00

### Range Overview - Auxiliary Cables for TEBS G2 (contd.)

TEBS G2.0  
Brake Module



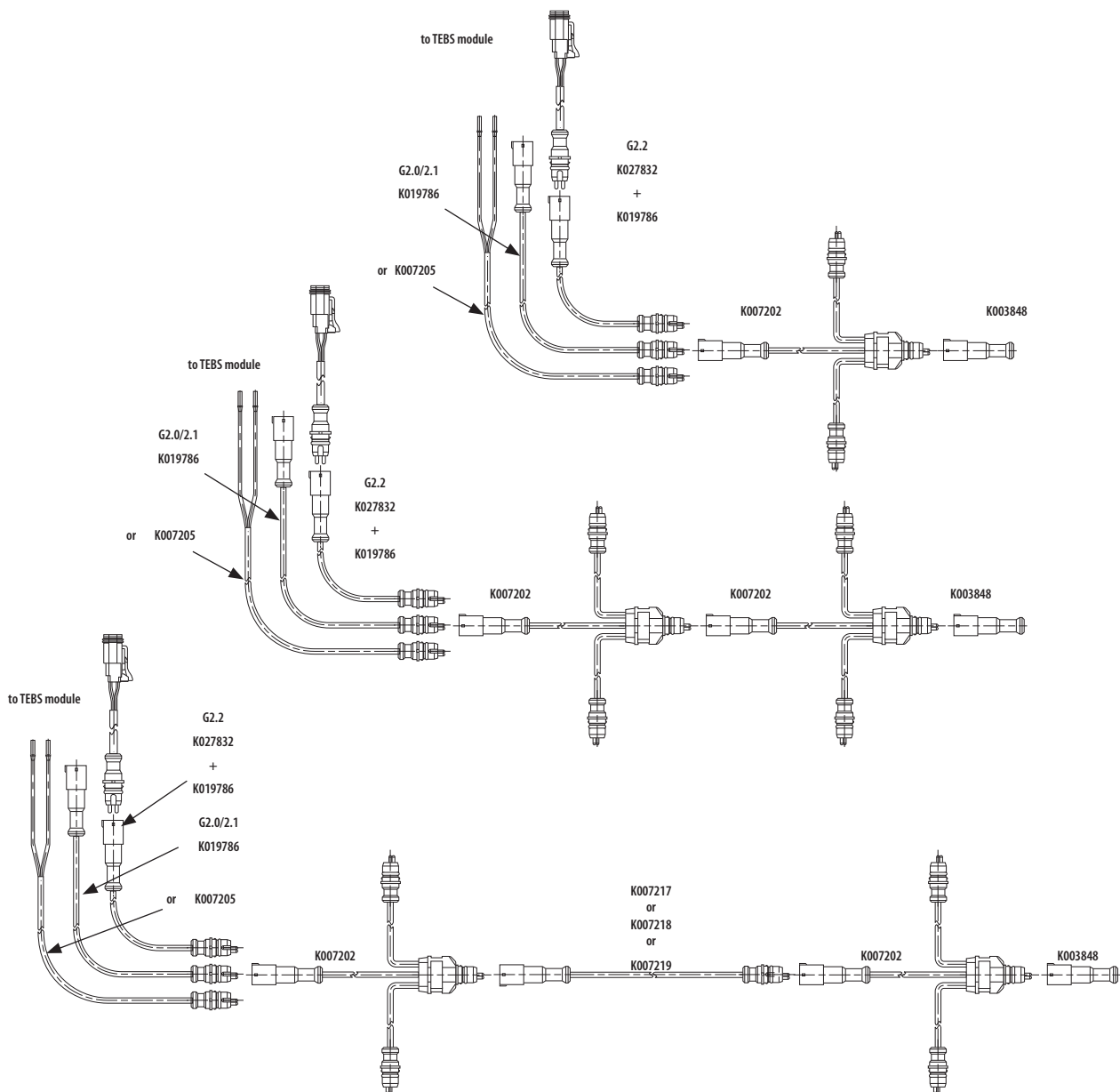
TEBS G2.1  
Brake Module



TEBS G2.2  
Brake Modules



### Pad Wear Sensing - Installation examples



Note: further Axle Modules K007202 may be added as necessary

### Range Overview - Auxiliary Cables for TEBS G2 (contd.)

TEBS G2.0  
Brake Module



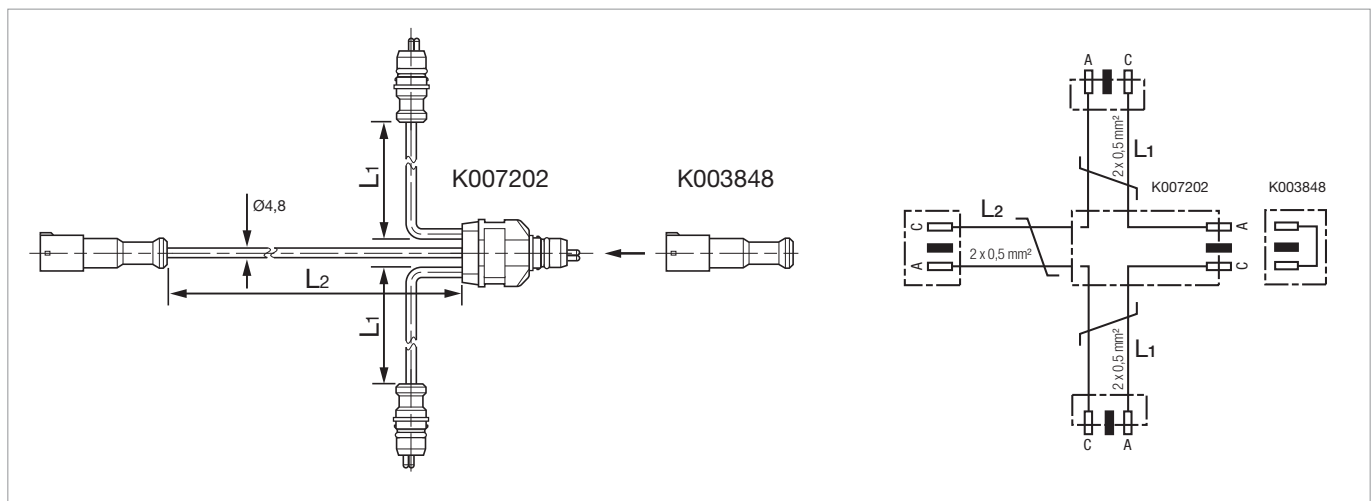
TEBS G2.1  
Brake Module



TEBS G2.2  
Brake Modules

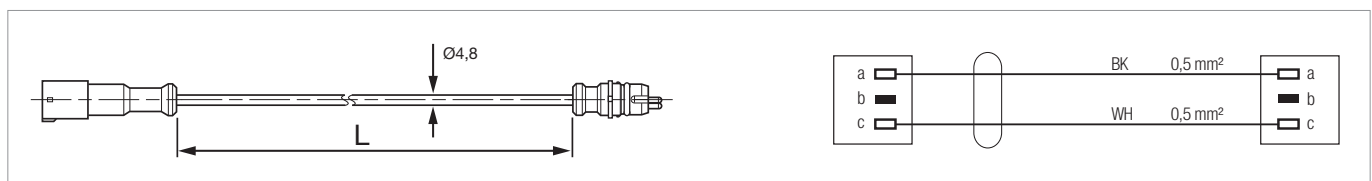


### Axle Module for Pad Wear Sensing



Part No.	Type No.	Cable length [m]	Comments
K007202	-	$L_1 = 2.0$ $L_2 = 2.0$	$L_1$ = pad wear sensor $L_2$ = connecting or extension cable
K003848	-	-	Closure Cap for Axle Module K007202

### Extension Cable for Pad Wear Sensing



Part No.	Type No.	Cable length [m]	Comments
K007217	-	1.0	To connect two Axle Modules K007202 together
K007218	-	3.0	
K007219	-	5.0	

## TEBS G2 Cables for TEBS G2

### Range Overview - Auxiliary Cables for TEBS G2 (contd.)

TEBS G2.0  
Brake Module



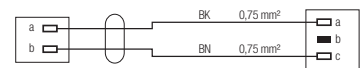
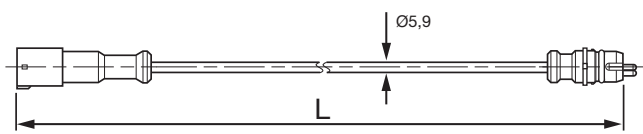
TEBS G2.1  
Brake Module



TEBS G2.2  
Brake Modules

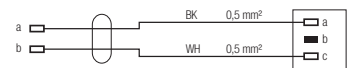
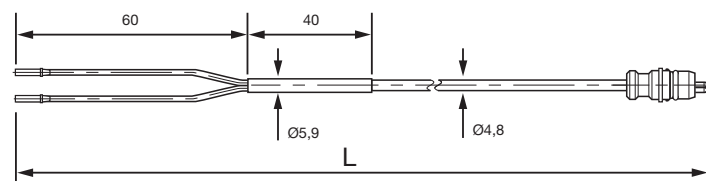


### Connecting Cable for Pad Wear Sensing (only TEBS G2.0/G2.1)



Part No.	Type No.	Cable length [m]	Comments
K019786 <sup>1)</sup>	-	1.0	To connect Axle Module K007202 to TEBS G2.0/G2.1 Module (S-E or S-F)

### Connecting Cable for Pad Wear Sensing (TEBS G2.0/G2.1/G2.2)

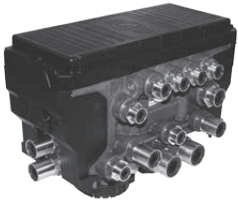


Part No.	Type No.	Cable length [m]	Comments
K007205	-	1.0	To connect Axle Module K007202 to TEBS G2 Module (Deutsch plug)

<sup>1)</sup> The part number will carry a suffix "N00" which defines that it is supplied without packaging. Example K019786N00

### Range Overview - Accessories for TEBS G2

TEBS G2.0  
Brake Module



TEBS G2.1  
Brake Module



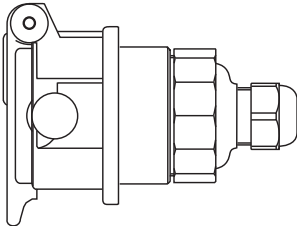
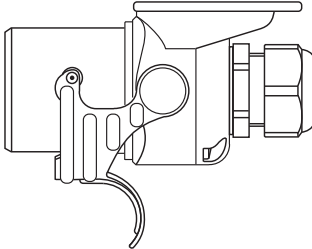
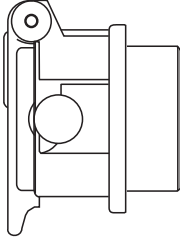
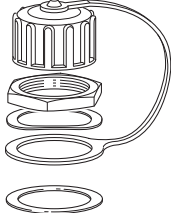

TEBS G2.2  
Brake Modules



Trailer Roadtrain Module



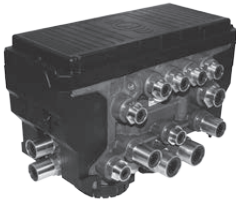
### Accessories

	Part No.	Type No.	Description
	K002290	-	ISO 7638 Socket (7 pin)
	K002291	-	ISO 7638 Plug (7 pin)
	I88007	-	ISO 7638 Dummy Socket (Mounting Bracket Part No. B86617)
	K005378	-	Mounting kit for Diagnostic Socket
	K027817 <sup>1)</sup>	-	Closure Cap for Trailer Roadtrain Module (TRM)

1) The part number will carry a suffix "N00" which defines that it is supplied without packaging. Example K027817N00

### Range Overview - Accessories for TEBS G2 (contd.)

TEBS G2.0  
Brake Module



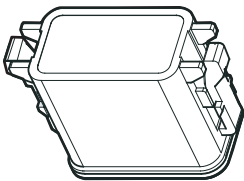
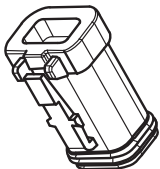
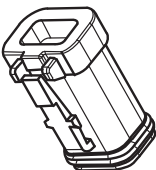

TEBS G2.1  
Brake Module



TEBS G2.2  
Brake Modules



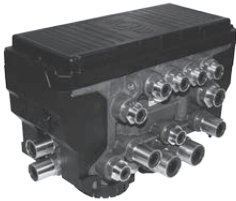
### Accessories (contd.)

	Part No.	Type No.	Description
	K026197V01 <sup>1)</sup>	-	Blanking Plug for all Deutsch 12-way and 18-way Sockets (no coding)
	Z005860	-	Blanking Plug for WSS Connectors on TEBS G2.2 Premium (no coding)
	Z005861	-	Blanking Plug for 2.3 & 2.4 Connectors on TEBS G2.2 Premium (no coding)
	K108022 <sup>2)</sup>	-	Blanking Plug for iTAP Wireless Interface (Code B)

1) The part number will carry a suffix "N00" which defines that it is supplied without packaging. Example K026197V01N00  
2) The part number will carry a suffix "N49" which defines that it is supplied without packaging and is for OE use only.

### Range Overview - Accessories for TEBS G2 (contd.)

TEBS G2.0  
Brake Module



TEBS G2.1  
Brake Module



TEBS G2.2  
Brake Modules



### Accessories (contd.)

	Part No.	Type No.	Description
	K002287 <sup>1)</sup>	-	12-pin Deutsch Plug ( <b>Code B</b> for In-Out Connector on TEBS G2.0/2.1 only) includes:  1 x Deutsch plug 1 x Locking wedge 12 x Blanking plugs
	K091439 <sup>1)</sup>	-	12-pin Deutsch Plug ( <b>Code A</b> for In-Out Connector on TEBS G2.2 only) includes:  1 x Deutsch plug 1 x Locking wedge 10 x Blanking plugs
	K092215 <sup>1)</sup>	-	4/6-pin Deutsch Plug (green - <b>no coding</b> for 2.3 & 2.4 Connectors on TEBS G2.2 Premium only) includes:  1 x Deutsch plug 4 x Blanking plugs

<sup>1)</sup> The part number will carry a suffix "N00" which defines that it is supplied without packaging. Example K092215N00

#### Revision Details

Rev. 010	January 2019	New Layout



Knorr-Bremse Group

#### Knorr-Bremse Systems for Commercial Vehicles

Moosacher Strasse 80 | 80809 Munich | Germany  
Tel: +49 89 3547-0 | Fax: +49 89 3547-2767  
WWW.KNORR-BREMSECVS.COM

#### Note

All information is subject to change. A printed version of this document may therefore not correspond to the latest revision. To obtain the latest version, please visit our website [www.knorr-bremseCVS.com](http://www.knorr-bremseCVS.com) or contact a Knorr-Bremse representative in your area.

If service work is carried out on a vehicle based on information provided herein, it is the responsibility of the workshop to ensure the vehicle is fully tested and in full functional order before the vehicle is returned into service. Knorr-Bremse accepts no liability for problems caused as a result of appropriate tests not being carried out.

#### Copyright © Knorr-Bremse AG

All rights reserved, including industrial property rights applications. Knorr-Bremse AG retains any power of disposal, such as for copying and transferring.

Up-to-date information on our products can be found on our website [www.knorr-bremseCVS.com](http://www.knorr-bremseCVS.com)

#### Disclaimer

The information contained herein is intended for the exclusive use of trained persons within the commercial vehicle industry, and must not be passed on to any third party. All recommendations regarding products and their servicing or usage are with reference to Knorr-Bremse products and should not be considered applicable to products from other manufacturers.

This information does not purport to be all-inclusive and no responsibility is assumed as a result of its use. We cannot accept any liability nor offer any guarantee regarding data accuracy, completeness or timeliness.

The information does not represent any guarantee or ensured characteristics of the Products or Systems described. No liability can be accepted based on the information, its use, recommendations or advice provided. In no event may we be held liable for any damage or loss except in the case of wilful intent or gross negligence on our part, or if any mandatory legal provisions apply.

This disclaimer is an English translation of a German text, which should be referred to for all legal purposes. Any legal disputes arising from the use of this information shall be subject to German law.