

Product Catalogue

Rationalised Brake Actuators



New!
Rationalised
Product Range
Updated and
Extended

... for Air Disc Brake applications

KNORR-BREMSE



Disclaimer

The information contained in this document is intended for the exclusive use of trained persons within the commercial vehicle industry, and must not be passed on to any third party. All recommendations regarding products and their servicing or usage are with reference to Knorr-Bremse products and should not be considered applicable to products from other manufacturers. This information does not purport to be all-inclusive and no responsibility is assumed as a result of its use. We cannot accept any liability nor offer any guarantee regarding data accuracy, completeness or timeliness. The information does not represent any guarantee or ensured characteristics of the Products or Systems described. No liability can be accepted based on the information, its use, recommendations or advice provided. In no event may we be held liable for any damage or loss except in the case of wilful intent or gross negligence on our part, or if any mandatory legal provisions apply. Any legal disputes arising from the use of this information shall be subject to German law.

This disclaimer is an English translation of a German text, which should be referred to for all legal purposes.

Rationalised Brake Actuators

... for Air Disc Brake applications

Safety Advice

Note: The safety advice below is applicable to general service and diagnostic work on air braking systems and may not all be directly relevant to the activities and products described in this document.

Before and whilst working on or around air braking systems and devices, the following precautions should be observed in addition to any specific advice given in this document:

- Always wear safety glasses when working with air pressure.
- Never exceed manufacturer's recommended air pressures.
- Never look into air jets or direct them at anyone.
- Never connect or disconnect a hose or line containing pressure; it may whip as air escapes.
- Never remove a device or pipe plug unless you are certain all system pressure has been depleted.
- Park the vehicle on a level surface, apply the parking brakes, and always chock the wheels as depleting vehicle air system pressure may cause the vehicle to roll.
- If work is being performed on the vehicle's air braking system, or any auxiliary pressurised air systems, and if it is necessary to drain the air pressure from reservoirs, etc., keep clear of brake actuator push rods and levers since they may move as system pressure drops. Be aware that if the vehicle is equipped with an air dryer system, it can also contain air pressure along with its purge reservoir, if fitted, even after pressure has been drained from the other reservoirs.
- When working under or around the vehicle, and particularly when working in the engine compartment, the engine should be shut off and the ignition key removed. Where circumstances require that the engine be running, EXTREME CAUTION should be taken to prevent personal injury resulting from contact with moving, rotating, leaking, heated or electrically charged components. Additionally, it is advisable to place a clear sign on or near the steering wheel advising that there is work in progress on the vehicle.
- Examine all pipework for signs of kinks, dents, abrasion, drying out or overheating. Be aware that kinks in pipework may result in air pressure being trapped in the pipework and associated equipment. Replacement hardware, tubing, hose, fittings, etc. must be of equivalent size, type and strength as original equipment and be designed specifically for such applications and systems. Check the attachment of all pipework; it should be supported so that it cannot abrade or be subjected to excessive heat.
- Components with stripped threads or damaged/corroded parts should be replaced rather than repaired. Do not attempt repairs requiring machining or welding unless specifically stated and approved by the vehicle or component manufacturer.
- Never attempt to install, remove, disassemble or assemble a device until you have read and thoroughly understood the recommended procedures. Some units contain powerful springs and injury can result if not properly dismantled. Use only the correct tools and observe all precautions pertaining to use of those tools. Before removing any device note its position and the connections of all pipework so that the replacement/serviced device can be properly installed. Ensure that adequate support or assistance is provided for the removal/installation of heavy items.
- Use only genuine Knorr-Bremse replacement parts, components and kits.
- Prior to returning the vehicle to service, make certain all components and systems are leak free and restored to their proper operating condition.

Welding

To avoid damage to electronic components when carrying out electrical welding, the following precautions should be observed:

- In all cases, before starting any electrical welding, remove all connections from any electronic control units or modules, noting their position and the order in which they are removed.
- When re-inserting the electrical connectors (in reverse order) it is essential that they are fitted to their correct assigned position - if necessary this must be checked by PC Diagnostics.

	Page
1. Introduction and Product Features	7
2. General Information	9
3. Cross References -	
Original Brake Actuator to Rationalised Brake Actuator	11-59
3.1 Knorr-Bremse OE Brake Actuator Type Number e.g. BS3153 to Knorr-Bremse Rationalised Brake Actuator	11-27
3.2 Knorr-Bremse OE Brake Actuator Part Number e.g. II32693 or K006507 or Y002657 to Knorr-Bremse Rationalised Brake Actuator	29-45
3.3. Vehicle Manufacturer OE Brake Actuator Part Number to Knorr-Bremse Rationalised Brake Actuator	47-59
4. Cross References -	
Competitor Brake Actuator to Knorr-Bremse Rationalised Brake Actuator	61-63

Introduction

- Updated and extended product range available only through the Knorr-Bremse IAM network.
- Service more than 580 OE fitted brake actuators with only 347 part numbers.
- The rationalised range covers brake chambers and spring brake actuators.

Product features

- Manufactured to the exact specifications of the OE supplied actuators.
- Incorporate all latest design and quality features.
- In most cases, the replacement actuator includes all latest modifications such as non-clamp ring technology.
- Reduced aftermarket part numbers by using the rationalised range.
- Provides a quick and cost-effective option to actuator servicing.
- All rationalised actuators are supplied with plug connection system **VOSS 232** (see Note).

Note:

For safety reasons, when fitting a new actuator, remove connection(s) from old actuator and disassemble and discard old male fitting(s); the fir-tree plug(s) should be left installed in the pipe(s).

In some cases, the Knorr-Bremse OE actuator was equipped with plug connection system **VOSS 230**. These actuators are marked with an * in the following cross reference lists and, when fitting the replacement rationalised brake actuator, it is also necessary to change the plug connection system using Knorr-Bremse kit K013514 (contains two **VOSS 230** plug connection systems). See page 10 for details.

ATTENTION!

The Roman numerals I or II at the beginning of some part numbers should not be read as 1 or 11.

General Information

- Use only genuine Knorr-Bremse parts – note, it is recommended to replace brake actuators as an axle set.
- Always use new mounting nuts (Knorr-Bremse kit: II36860) for the installation of the brake actuator.
Tightening torque: 180 ± 10 Nm.
- After installation of the replacement actuator, ensure that the breather hole at the lowest point is unplugged.
All other breather holes can be plugged.

Note: Please also refer to section “Safety Advice“ on page 4 of this document, and other relevant safety instructions for repair work on commercial vehicles, especially for jacking up and securing the vehicle.

2

General Information

Change from Voss 232 to Voss 230 Plug Connection System

(applicable where old actuator was fitted with Voss 230 system)

Note, all instructions apply to each connection.

Preparation

Remove connection from old actuator and disassemble and discard old male fitting (1); the fir-tree plug should be left installed in the pipe.

Remove Voss 232 male fitting from new actuator and discard.

Assembly of fitting kit K013514 Using assembly mandrel

The male fitting (1) with greased O-ring (2), retaining clip (3) and spring element (4) are successively mounted onto the assembly mandrel. The assembly mandrel prepared in this way is screwed hand-tight into the connection bore. The mandrel is withdrawn and the individual components remain in their position. The male fitting (1) is then tightened fully to a torque of $14 + 1$ Nm.

Assembly of fitting kit K013514 Without using assembly mandrel

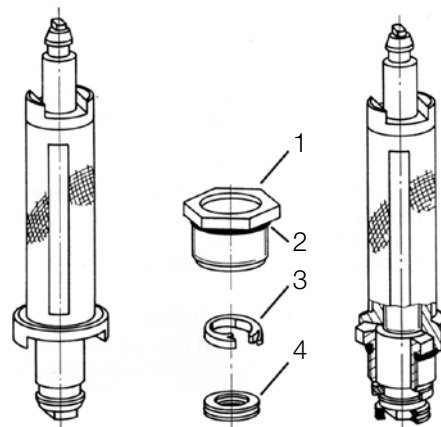
The spring element (4) is inserted into position so that it rests flat on the counter-bore under the thread root of the connection bore – see views (a) and (b).

The retaining clip (3) is introduced so that it rests flat on the thread root – see views (b) and (c).

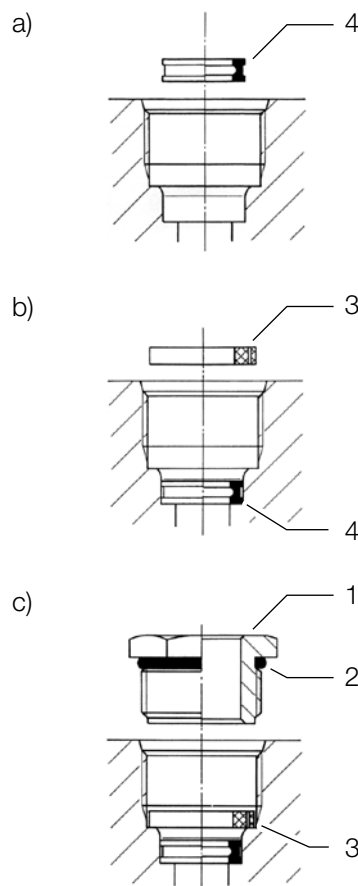
The male fitting (1), pre-assembled with greased O-ring (2), is then screwed by hand into the tapped bore – see view (c), then tightened fully to a torque of $14 + 1$ Nm.

Grease

Use grease II14525 Fuchs "Renolit" HLT2.



Assembly using assembly mandrel



Assembly without using assembly mandrel

Cross References - Original Brake Actuator to Rationalised Brake Actuator

Knorr-Bremse OE Brake Actuator **Type** Number e.g. BS3153
to Knorr-Bremse Rationalised Brake Actuator11-27

3 (3.1)
Cross References – Original Brake Actuator to Rationalised Brake Actuator
Listed in Knorr-Bremse OE Type Number order

Knorr-Bremse Original Brake Actuator		Knorr-Bremse Rationalised Brake Actuator	
Type Number	Part Number	Part Number	Type Number
BS2306	K006510	K006510N00	BS2306
BS2307	K006511	K006511N00	BS2307
BS2402	K001294	K015581	BS2402
BS2402	K015581	K015581	BS2402
BS2406	K002941	K015583	BS2406
BS2406	K015583	K015583	BS2406
BS2407	K002942	K015584	BS2407
BS2407	K015584	K015584	BS2407
BS2408	K003070	K015582	BS2408
BS2408	K015582	K015582	BS2408
BS2429	K006648	K006648N00	BS2429
BS2430	K006649	K006649N00	BS3433
BS2500	II38472F	K006487N00	BS2500
BS2500	K006487	K006487N00	BS2500
BS2501	II38473F	K006488N00	BS2501
BS2501	K006488	K006488N00	BS2501
BS2502	II38474F	K006489N00	BS2502
BS2502	K006489	K006489N00	BS2502
BS2503	II38475F	K006490N00	BS2503
BS2503	K006490	K006490N00	BS2503
BS2504	II39205F	K002556	BS2504
BS2504	K002556	K002556	BS2504
BS2505	II39964F	II39964F	BS2505
BS2506	II39965F	II39965F	BS2506
BS2514	K001027	K002843	BS2514
BS2514	K002843	K002843	BS2514
BS2515	K001028	K002844	BS2515
BS2515	K002844	K002844	BS2515
BS2516	K001603	K006655N00	BS2523
BS2517	K001604	K006656N00	BS2524
BS2521	K004765	K004765	BS2521
BS2522	K004767	K004767	BS2522
BS2523	K006655	K006655N00	BS2523
BS2524	K006656	K006656N00	BS2524
BS3152	II39918F	II39918F	BS3152
BS3153	K000575	K000575	BS3153
BS3155	K006339	K006339	BS3155
BS3201	II36967	K008766	BS3201

Cross References – Original Brake Actuator to Rationalised Brake Actuator
Listed in Knorr-Bremse OE Type Number order

Knorr-Bremse Original Brake Actuator		Knorr-Bremse Rationalised Brake Actuator	
Type Number	Part Number	Part Number	Type Number
BS3201	K008766	K008766	BS3201
BS3202	II37861	K006506N00	BS3212
BS3204	II38400F	K006507N00	BS3213
BS3207	II39193F	K008768	BS3207
BS3207	K008768	K008768	BS3207
BS3212	K006506	K006506N00	BS3212
BS3213	K006507	K006507N00	BS3213
BS3250	II32963 *	K003968N00	BS3250
BS3250	K003968	K003968N00	BS3250
BS3251	II31782	II31782	BS3251
BS3255	II33050	II33050	BS3255
BS3257	II36968	K010288	BS3257
BS3257	K010288	K010288	BS3257
BS3263	II38455F	II38455F	BS3263
BS3269	II39196F	K010290	BS3269
BS3269	K010290	K010290	BS3269
BS3270	II39214F	II39214FN00	BS3270
BS3271	II39215F	II39215FN00	BS3271
BS3273	II40349F *	K003969N00	BS3273
BS3273	K003969	K003969N00	BS3273
BS3273	K004286 *	K004286N00	BS3273
BS3274	II40357F	II40357F	BS3274
BS3275	II40358F	II40358F	BS3275
BS3278	K001299 *	K001299N00	BS3278
BS3281	K004737 *	K004737N00	BS3281
BS3300	II14535	II14535	BS3300
BS3300	II14535ES	II14535	BS3300
BS3301	II30614 *	K004146N00	BS3301
BS3301	K002848	K004146N00	BS3301
BS3301	K004146	K004146N00	BS3301
BS3313	II36969	K003840	BS3313
BS3313	K003840	K003840	BS3313
BS3314	II37110	K002978	BS3314
BS3314	K002978	K002978	BS3314
BS3315	II37140 *	II37140000	BS3315
BS3315	II37140ES *	II37140000	BS3315
BS3316	II37315	K015579	BS3316
BS3316	K015579	K015579	BS3316

¹ When fitting a replacement rationalised brake actuator it is also necessary to change the plug connection system with the kit K013514

3 (3.1)
Cross References – Original Brake Actuator to Rationalised Brake Actuator
Listed in Knorr-Bremse OE Type Number order

Knorr-Bremse Original Brake Actuator		Knorr-Bremse Rationalised Brake Actuator	
Type Number	Part Number	Part Number	Type Number
BS3317	II37316	K015580	BS3317
BS3317	K015580	K015580	BS3317
BS3318	II37863	K006510N00	BS2306
BS3320	II38105F	II38105F	BS3320
BS3321	II38111F	II38111F	BS3321
BS3322	II38402F	K006511N00	BS2307
BS3323	II38411F *	II38411FN00	BS3323
BS3324	II38412F *	II38412FN00	BS3324
BS3325	II38462F *	K004144N00	BS3325
BS3325	K003990	K004144N00	BS3325
BS3325	K004144	K004144N00	BS3325
BS3326	II38466F	II38466F	BS3326
BS3327	II38556F	K002618	BS3327
BS3327	K002618	K002618	BS3327
BS3331	II38589F	II38589F	BS3331
BS3335	II39218F	II39218F	BS3335
BS3336	II39374F	II39374F	BS3336
BS3337	II39375F	II39375F	BS3337
BS3338	II39693F	K006334N00	BS3338
BS3338	K006334	K006334N00	BS3338
BS3340	II39927F	II39927FN00	BS3340
BS3341	II39928F	II39928FN00	BS3341
BS3343	Y004227	Y004227	BS3343
BS3350	II15229	II15229	BS3350
BS3354	II36778	K003030	BS3354
BS3354	K003030	K003030	BS3354
BS3355	II37864	K006646N00	BS3368
BS3357	II38403F	K006647N00	BS3369
BS3358	II38527F	II38527F	BS3358
BS3361	II38924F	II38924F	BS3361
BS3362	II39199F	K003031	BS3362
BS3362	K003031	K003031	BS3362
BS3363	II39602F	II39602FN00	BS3363
BS3364	II39603F	II39603FN00	BS3364
BS3368	K006646	K006646N00	BS3368
BS3369	K006647	K006647N00	BS3369
BS3401	II32592 *	K004171N00	BS3401
BS3401	K003991	K004171N00	BS3401

Cross References – Original Brake Actuator to Rationalised Brake Actuator
Listed in Knorr-Bremse OE Type Number order

Knorr-Bremse Original Brake Actuator		Knorr-Bremse Rationalised Brake Actuator	
Type Number	Part Number	Part Number	Type Number
BS3401	K004171	K004171N00	BS3401
BS3402	II30616	II30616	BS3402
BS3403	II30617	II30617	BS3403
BS3404	II31098	II31098	BS3404
BS3409	II32595 *	K004172N00	BS3409
BS3409	K003992	K004172N00	BS3409
BS3409	K004172	K004172N00	BS3409
BS3410	II32169 *	K004207N00	BS3410
BS3410	K003993	K004207N00	BS3410
BS3410	K004207	K004207N00	BS3410
BS3411	II32170 *	K004209N00	BS3411
BS3411	K002849	K004209N00	BS3411
BS3411	K004209	K004209N00	BS3411
BS3412	II32171 *	K004211N00	BS3412
BS3412	K002850	K004211N00	BS3412
BS3412	K004211	K004211N00	BS3412
BS3415	II32710	II32710	BS3415
BS3423	II36779	K003020	BS3423
BS3423	K003020	K003020	BS3423
BS3424	II37865	K006648N00	BS2429
BS3430	II38107F	II38107F	BS3430
BS3433	II38404F	K006649N00	BS3433
BS3434	II38413F *	K004485N00	BS3434
BS3434	K004485	K004485N00	BS3434
BS3435	II38414F *	K004486N00	BS3435
BS3435	K004486	K004486N00	BS3435
BS3436	II38528F	II38528F	BS3436
BS3437	II38574F	II38574F	BS3437
BS3440	II38591F	II38591F	BS3440
BS3441	II39201F	K003021	BS3441
BS3441	K003021	K003021	BS3441
BS3442	II39323F	II39323F	BS3442
BS3443	II39324F	II39324F	BS3443
BS3444	II39694F	K006371N00	BS3444
BS3444	K006371	K006371N00	BS3444
BS3447	Y004232	Y004232	BS3447
BS3450	II14540	II14540	BS3450
BS3451	II18850	II18850	BS3451

¹ When fitting a replacement rationalised brake actuator it is also necessary to change the plug connection system with the kit K013514

3 (3.1)
Cross References – Original Brake Actuator to Rationalised Brake Actuator
Listed in Knorr-Bremse OE Type Number order

Knorr-Bremse Original Brake Actuator		Knorr-Bremse Rationalised Brake Actuator	
Type Number	Part Number	Part Number	Type Number
BS3452	II18886	II18886	BS3452
BS3453	II31099	II31099	BS3453
BS3456	II34670	II34670	BS3456
BS3457	II34671	II34671	BS3457
BS3458	II36780	K003012	BS3458
BS3458	K003012	K003012	BS3458
BS3462	II38529F	II38529F	BS3462
BS3467	II39203F	K003013	BS3467
BS3467	K003013	K003013	BS3467
BS3468	II39578F	K006653N00	BS3474
BS3469	II39579F	K006654N00	BS3475
BS3471	K001214	K001214	BS3471
BS3472	K001215	K001215	BS3472
BS3474	K006653	K006653N00	BS3474
BS3475	K006654	K006654N00	BS3475
BS3478	K010028	K010028	BS3478
BS3500	II15227	II15227	BS3500
BS3501	II32596 *	K002623N00	BS3501
BS3501	K002623	K002623N00	BS3501
BS3501	K002851	K002623N00	BS3501
BS3502	II18209	II18209	BS3502
BS3503	II18210	II18210	BS3503
BS3507	II19019	K015585	BS3507
BS3507	K015585	K015585	BS3507
BS3508	II19458	II19458N00	BS3508
BS3509	II30618	II30618	BS3509
BS3511	II31105	K015586	BS3511
BS3511	K015586	K015586	BS3511
BS3514	II32597 *	K002624N00	BS3514
BS3514	K002624	K002624N00	BS3514
BS3514	K003996	K002624N00	BS3514
BS3515	II32598 *	K002720N00	BS3515
BS3515	K002720	K002720N00	BS3515
BS3515	K003997	K002720N00	BS3515
BS3516	II32599 *	K002721N00	BS3516
BS3516	K002721	K002721N00	BS3516
BS3516	K002852	K002721N00	BS3516
BS3517	II31651	II31651	BS3517

Cross References – Original Brake Actuator to Rationalised Brake Actuator
Listed in Knorr-Bremse OE Type Number order

Knorr-Bremse Original Brake Actuator		Knorr-Bremse Rationalised Brake Actuator	
Type Number	Part Number	Part Number	Type Number
BS3518	II31652	II31652	BS3518
BS3520	II32164	K015587	BS3520
BS3520	K015587	K015587	BS3520
BS3521	II32165	K015588	BS3521
BS3521	K015588	K015588	BS3521
BS3522	II32172 *	K002722N00	BS3522
BS3522	K002722	K002722N00	BS3522
BS3522	K002853	K002722N00	BS3522
BS3524	II32593 *	K002723N00	BS3524
BS3524	K002723	K002723N00	BS3524
BS3525	II32594 *	K002724N00	BS3525
BS3525	K002724	K002724N00	BS3525
BS3526	II32723	K015591	BS3526
BS3526	K015591	K015591	BS3526
BS3528	II33903	K015592	BS3528
BS3528	K015592	K015592	BS3528
BS3532	II36781	K002420	BS3532
BS3532	K002420	K002420	BS3532
BS3536	II37133	K015589	BS3536
BS3536	K015589	K015589	BS3536
BS3537	II37134	K015590	BS3537
BS3537	K015590	K015590	BS3537
BS3538	II37127	II37127	BS3538
BS3539	II37472	II37472N00	BS3539
BS3547	II38530F	II38530F	BS3547
BS3551	II31100	II31100	BS3551
BS3601	II31101	II31101	BS3601
BS3602	II34021 *	K004645N00	BS3602
BS3602	K004000	K004645N00	BS3602
BS3602	K004645	K004645N00	BS3602
BS3603	II34211 *	K004646N00	BS3603
BS3603	K004002	K004646N00	BS3603
BS3603	K004646	K004646N00	BS3603
BS3604	II34850 *	K004647N00	BS3604
BS3604	K004003	K004647N00	BS3604
BS3604	K004647	K004647N00	BS3604
BS3605	II34851 *	K004648N00	BS3605
BS3605	K004004	K004648N00	BS3605

¹ When fitting a replacement rationalised brake actuator it is also necessary to change the plug connection system with the kit K013514

3 (3.1)
Cross References – Original Brake Actuator to Rationalised Brake Actuator
Listed in Knorr-Bremse OE Type Number order

Knorr-Bremse Original Brake Actuator		Knorr-Bremse Rationalised Brake Actuator	
Type Number	Part Number	Part Number	Type Number
BS3605	K004648	K004648N00	BS3605
BS3606	II37143 *	K004649N00	BS3606
BS3606	K004005	K004649N00	BS3606
BS3606	K004649	K004649N00	BS3606
BS3607	II37144 *	K004650N00	BS3607
BS3607	K004006	K004650N00	BS3607
BS3607	K004650	K004650N00	BS3607
BS3800	K015833	K015833	BS3800
BS3801	K015834	K015834	BS3801
BS8302	II39687F	II39687FN00	BS8302
BS8304	II39925F	K010674N00	BS9312
BS8305	II39926F	K010675N00	BS9314
BS8311	II40308F	II40308FN00	BS8311
BS8312	II40309F	II40309FN00	BS8312
BS8316	K000976	K000976	BS8316
BS8317	K000977	K000977	BS8317
BS8320	K001181	K001181	BS8320
BS8321	K001182	K001182	BS8321
BS8322	K001898	K001898	BS8322
BS8323	K001899	K001899	BS8323
BS8328	K002097	K007655	BS8328
BS8328	K007655	K007655	BS8328
BS8329	K002098	K007656	BS8329
BS8329	K007656	K007656	BS8329
BS8330	K004876	K004876N00	BS8330
BS8331	K004877	K004877N00	BS8331
BS8332	K005486	K007648	BS8332
BS8332	K007648	K007648	BS8332
BS8333	K005487	K007649	BS8333
BS8333	K007649	K007649	BS8333
BS8334	K005488	K007653	BS8334
BS8334	K007653	K007653	BS8334
BS8335	K005489	K007654	BS8335
BS8335	K007654	K007654	BS8335
BS8337	K007045	K007045000	BS8337
BS8338	K007049	K007049N00	BS8338
BS8402	K004044	K004044000	BS8402
BS8402	Y002657 *	K004044000	BS8402

Cross References – Original Brake Actuator to Rationalised Brake Actuator
Listed in Knorr-Bremse OE Type Number order

Knorr-Bremse Original Brake Actuator		Knorr-Bremse Rationalised Brake Actuator	
Type Number	Part Number	Part Number	Type Number
BS8403	K004045	K004045000	BS8403
BS8403	Y002658 *	K004045000	BS8403
BS8413	K001031	K007668	BS8413
BS8413	K007668	K007668	BS8413
BS8414	K001032	K007669	BS8414
BS8414	K007669	K007669	BS8414
BS8415	K001238	K001238	BS8415
BS8420	K001123	K001123	BS8420
BS8420	K007657	K007657	BS8420
BS8421	K001124	K001124	BS8421
BS8421	K007658	K007658	BS8421
BS8424	K001760	K007130000	BS8458
BS8425	K001761	K007131N00	BS8459
BS8426	K001970	K007677	BS8426
BS8426	K007677	K007677	BS8426
BS8427	K001971	K007678	BS8427
BS8427	K007678	K007678	BS8427
BS8430	K002200 *	K002200	BS8430
BS8431	K002201 *	K002201	BS8431
BS8434	K002955	K002955	BS8434
BS8435	K002956	K002956	BS8435
BS8450	II40500F	II40500F	BS8450
BS8451	II40501F	II40501F	BS8451
BS8452	K000699	K000699	BS8452
BS8453	K000700	K000700	BS8453
BS8458	K007130	K007130000	BS8458
BS8459	K007131	K007131N00	BS8459
BS8460	K007138	K007138N00	BS8460
BS8461	K007139	K007139N00	BS8461
BS8500	II38470F	II38470F000	BS8500
BS8500	II38470FAT	II38470F000	BS8500
BS8500	II38470FES	II38470F000	BS8500
BS8501	II38471F	II38471F000	BS8501
BS8501	II38471FES	II38471F000	BS8501
BS8502	II38486F	II38486F	BS8502
BS8503	II38487F	II38487F	BS8503
BS8505	II38546F	II38546F	BS8505
BS8506	II38547F	II38547F	BS8506

¹ When fitting a replacement rationalised brake actuator it is also necessary to change the plug connection system with the kit K013514

3 (3.1)
Cross References – Original Brake Actuator to Rationalised Brake Actuator
Listed in Knorr-Bremse OE Type Number order

Knorr-Bremse Original Brake Actuator		Knorr-Bremse Rationalised Brake Actuator	
Type Number	Part Number	Part Number	Type Number
BS8506	II38547FES	II38547F	BS8506
BS8507	K007135	K007135000	BS8507
BS8508	K007136	K007136000	BS8508
BS8516	II38922F	II38922F	BS8516
BS8517	II39219F	II39219F	BS8517
BS8517	II39219F000AT	II39219F	BS8517
BS8518	II39220F	II39220F	BS8518
BS8519	II39614F	II39614F	BS8519
BS8520	II39929F *	II39929FN00	BS8520
BS8521	II39930F *	II39930FN00	BS8521
BS8522	II39958F	II39958F	BS8522
BS8525	Y004245	Y004245N00	BS8525
BS8526	Y004246	Y004246N00	BS8526
BS8533	K000843 *	K000843000	BS8533
BS8534	K000844 *	K000844000	BS8534
BS8540	K001605	K007135000	BS8507
BS8541	K001606	K007136000	BS8508
BS8544	K005059	K005059	BS8544
BS8545	K005060	K005060	BS8545
BS9082	K002972	K002972	BS9082
BS9083	K001436	K007631	BS9083
BS9083	K007631	K007631	BS9083
BS9084	K001437	K007632	BS9084
BS9084	K007632	K007632	BS9084
BS9086	K001029	K007629	BS9086
BS9086	K007629	K007629	BS9086
BS9087	K001030	K007630	BS9087
BS9087	K007630	K007630	BS9087
BS9088	II39935F	K007627	BS9088
BS9088	K007627	K007627	BS9088
BS9089	II39936F	K007628	BS9089
BS9089	K007628	K007628	BS9089
BS9090	II39210F	II39210F	BS9090
BS9092	II38488F	K007625	BS9092
BS9092	II38488FAT	K007625	BS9092
BS9092	K007625	K007625	BS9092
BS9093	II38489F	K007626	BS9093
BS9093	K007626	K007626	BS9093

**Cross References – Original Brake Actuator to Rationalised Brake Actuator
Listed in Knorr-Bremse OE Type Number order**

Knorr-Bremse Original Brake Actuator		Knorr-Bremse Rationalised Brake Actuator	
Type Number	Part Number	Part Number	Type Number
BS9177	K007038	K007038N00	BS9177
BS9178	K007039	K007039000	BS9178
BS9179	K003676	K007640	BS9179
BS9179	K007640	K007640	BS9179
BS9180	K003677	K007641	BS9180
BS9180	K007641	K007641	BS9180
BS9188	II38049F	II38049F	BS9188
BS9189	II37867	K007038N00	BS9177
BS9190	II37866	K007039000	BS9178
BS9193	II37520	II37520	BS9193
BS9193	II37520ES	II37520	BS9193
BS9196	II36338	II36338	BS9196
BS9196	II36338ES	II36338	BS9196
BS9251	K011359	K011359	BS9251
BS9252	K011360	K011360	BS9252
BS9265	K000978	K000978	BS9265
BS9266	K000979	K000979	BS9266
BS9269	K001902	K001902	BS9269
BS9270	K001903	K001903	BS9270
BS9281	K007041	K007041N00	BS9281
BS9282	K007040	K007040N00	BS9282
BS9286	II38531F	II38531F	BS9286
BS9287	II38428F	II38428F	BS9287
BS9293	II37869	K007040N00	BS9282
BS9294	II37868	K007041N00	BS9281
BS9295	II33886	K007643	BS9295
BS9295	K007643	K007643	BS9295
BS9296	II33648	K007642	BS9296
BS9296	II33648ES	K007642	BS9296
BS9296	K007642	K007642	BS9296
BS9297	II31783	II31783	BS9297
BS9297	II31783AT	II31783	BS9297
BS9297	II31783ES	II31783	BS9297
BS9304	II30619	II30619	BS9304
BS9304	II30619AT	II30619	BS9304
BS9304	II30619ES	II30619	BS9304
BS9305	II32600 *	K002855N00	BS9305
BS9305	II32600AT *	K002855N00	BS9305

¹ When fitting a replacement rationalised brake actuator it is also necessary to change the plug connection system with the kit K013514

3 (3.1)
Cross References – Original Brake Actuator to Rationalised Brake Actuator
Listed in Knorr-Bremse OE Type Number order

Knorr-Bremse Original Brake Actuator		Knorr-Bremse Rationalised Brake Actuator	
Type Number	Part Number	Part Number	Type Number
BS9305	K002855	K002855N00	BS9305
BS9306	II32601 *	K002854N00	BS9306
BS9306	K002854	K002854N00	BS9306
BS9308	II32700 *	K002859N00	BS9308
BS9308	II32700ES *	K002859N00	BS9308
BS9308	K002859	K002859N00	BS9308
BS9311	II32175 *	K002858N00	BS9311
BS9311	II32175ES *	K002858N00	BS9311
BS9311	K002858	K002858N00	BS9311
BS9312	K010674	K010674N00	BS9312
BS9314	K010675	K010675N00	BS9314
BS9320	II33767 *	K002857N00	BS9320
BS9320	K002857	K002857N00	BS9320
BS9321	II33770 *	K002856N00	BS9321
BS9321	K002856	K002856N00	BS9321
BS9326	II37264 *	K004022N00	BS9326
BS9326	K004022	K004022N00	BS9326
BS9327	II37265 *	K004023N00	BS9327
BS9327	K004023	K004023N00	BS9327
BS9332	II37883	II37883	BS9332
BS9335	II38110F	II38110F	BS9335
BS9335	II38110FAT	II38110F	BS9335
BS9335	II38110FES	II38110F	BS9335
BS9338	II38467F	II38467F	BS9338
BS9338	II38467FES	II38467F	BS9338
BS9339	II38580F	II38580F	BS9339
BS9339	II38580FES	II38580F	BS9339
BS9342	K010672	K010672N00	BS9342
BS9343	K010673	K010673N00	BS9343
BS9346	II38532F	II38532F	BS9346
BS9349	II31663	II31663	BS9349
BS9350	K007055	K007055N00	BS9350
BS9351	K007054	K007054N00	BS9351
BS9354	II33999	K009968	BT4800
BS9354	K009968	K009968	BT4800
BS9355	II34184	K009969	BT4801
BS9355	K009969	K009969	BT4801
BS9356	II35736	II35736	BS9356

Cross References – Original Brake Actuator to Rationalised Brake Actuator
Listed in Knorr-Bremse OE Type Number order

Knorr-Bremse Original Brake Actuator		Knorr-Bremse Rationalised Brake Actuator	
Type Number	Part Number	Part Number	Type Number
BS9357	II37885	K007055N00	BS9350
BS9358	II37886	K007054N00	BS9351
BS9359	II39600F	K010672N00	BS9342
BS9360	II39601F	K010673N00	BS9343
BS9362	K000909	K000909	BS9362
BS9363	K000910	K000910	BS9363
BS9370	K002002	K002002	BS9370
BS9371	K002003	K002003	BS9371
BS9373	II39213F	II39213FN00	BS9373
BS9374	II39212F	II39212FN00	BS9374
BS9375	II38595F	II38595F	BS9375
BS9376	II38578F	II38578F	BS9376
BS9377	II38496F	II38496F	BS9377
BS9377	II38496FAT	II38496F	BS9377
BS9377	II38496FES	II38496F	BS9377
BS9378	II38497F	II38497F	BS9378
BS9378	II38497FES	II38497F	BS9378
BS9379	II38465F	II38465F	BS9379
BS9379	II38465FES	II38465F	BS9379
BS9383	II38122F	II38122F	BS9383
BS9386	II37871	K007045000	BS8337
BS9387	II37870	K007049N00	BS8338
BS9390	II37138 *	II37138000	BS9390
BS9390	II37138AT *	II37138000	BS9390
BS9390	II37138ES *	II37138000	BS9390
BS9391	II37139 *	II37139000	BS9391
BS9391	II37139ES *	II37139000	BS9391
BS9395	II32159	K007646	BS9395
BS9395	II32159ES	K007646	BS9395
BS9395	K007646	K007646	BS9395
BS9395	K007646ES	K007646	BS9395
BS9396	II32160	K007647	BS9396
BS9396	II32160ES	K007647	BS9396
BS9396	K007647	K007647	BS9396
BS9397	II31227	II31227	BS9397
BS9397	II31227AT	II31227	BS9397
BS9397	II31227ES	II31227	BS9397
BS9398	II18224	II18224	BS9398

¹ When fitting a replacement rationalised brake actuator it is also necessary to change the plug connection system with the kit K013514

3 (3.1)
Cross References – Original Brake Actuator to Rationalised Brake Actuator
Listed in Knorr-Bremse OE Type Number order

Knorr-Bremse Original Brake Actuator		Knorr-Bremse Rationalised Brake Actuator	
Type Number	Part Number	Part Number	Type Number
BS9398	II18224ES	II18224	BS9398
BS9404	II31407	II31407	BS9404
BS9404	II31407AT	II31407	BS9404
BS9404	II31407ES	II31407	BS9404
BS9405	II32604 *	K004033N00	BS9405
BS9405	II32604ES *	K004033N00	BS9405
BS9405	K004033	K004033N00	BS9405
BS9406	II32605 *	K004034N00	BS9406
BS9406	K004034	K004034N00	BS9406
BS9407	II32602 *	K004029N00	BS9407
BS9407	K004029	K004029N00	BS9407
BS9409	II32606 *	K004035N00	BS9409
BS9409	II32606AT *	K004035N00	BS9409
BS9409	K004035	K004035N00	BS9409
BS9410	II32607 *	K004036N00	BS9410
BS9410	II32607AT *	K004036N00	BS9410
BS9410	K004036	K004036N00	BS9410
BS9411	II32701 *	K002861N00	BS9411
BS9411	II32701AT *	K002861N00	BS9411
BS9411	II32701ES *	K002861N00	BS9411
BS9411	K002861	K002861N00	BS9411
BS9412	II32702 *	K002860N00	BS9412
BS9412	II32702AT *	K002860N00	BS9412
BS9412	II32702ES *	K002860N00	BS9412
BS9412	K002860	K002860N00	BS9412
BS9418	K007086	K007086N00	BS9418
BS9419	K007087	K007087N00	BS9419
BS9421	II34000	K009970	BT5800
BS9421	II34000ES	K009970	BT5800
BS9421	K009970	K009970	BT5800
BS9424	II34185	K009971	BT5801
BS9424	II34185ES	K009971	BT5801
BS9424	K009971	K009971	BT5801
BS9426	II31097	II31097	BS9426
BS9426	II31097AT	II31097	BS9426
BS9427	II34392 *	K004025N00	BS9427
BS9427	K004025	K004025N00	BS9427
BS9428	II34393 *	K004026N00	BS9728

Cross References – Original Brake Actuator to Rationalised Brake Actuator
Listed in Knorr-Bremse OE Type Number order

Knorr-Bremse Original Brake Actuator		Knorr-Bremse Rationalised Brake Actuator	
Type Number	Part Number	Part Number	Type Number
BS9428	K004026	K004026N00	BS9728
BS9433	II36962	II36962	BS9433
BS9433	II36962ES	II36962	BS9433
BS9434	II36972	K007662	BS9434
BS9434	II36972ES	K007662	BS9434
BS9434	II36972F	K007662	BS9434
BS9434	K007662	K007662	BS9434
BS9437	II37266 *	K004042N00	BS9437
BS9437	II37266AT *	K004042N00	BS9437
BS9437	II37266ES *	K004042N00	BS9437
BS9437	K004042	K004042N00	BS9437
BS9438	II37267 *	K004043N00	BS9438
BS9438	II37267ES *	K004043N00	BS9438
BS9438	K004043	K004043N00	BS9438
BS9445	II37887	K007086N00	BS9418
BS9446	II37888	K007087N00	BS9419
BS9450	II30477	II30477	BS9450
BS9450	II30477AT	II30477	BS9450
BS9451	II31226	II31226	BS9451
BS9451	II31226AT	II31226	BS9451
BS9451	II31226ES	II31226	BS9451
BS9458	II34389	II34389	BS9458
BS9461	II37906	II37906	BS9461
BS9462	II38116F	II38116F	BS9462
BS9463	II38132F	II38132F	BS9463
BS9471	II38124F	II38124F	BS9471
BS9474	II38393F	II38393F	BS9474
BS9475	II38394F	II38394F	BS9475
BS9476	II38408F	II38408F	BS9476
BS9476	II38408FES	II38408F	BS9476
BS9476	K004074	K004074	BS9476
BS9478	II38522F	II38522F	BS9478
BS9478	K004075	K004075	BS9478
BS9479	II38533F	II38533F	BS9479
BS9480	II38551F *	K004040N00	BS9480
BS9480	K004040	K004040N00	BS9480
BS9481	II38552F *	K004041N00	BS9481
BS9481	K004041	K004041N00	BS9481

¹ When fitting a replacement rationalised brake actuator it is also necessary to change the plug connection system with the kit K013514

3 (3.1)
Cross References – Original Brake Actuator to Rationalised Brake Actuator
Listed in Knorr-Bremse OE Type Number order

Knorr-Bremse Original Brake Actuator		Knorr-Bremse Rationalised Brake Actuator	
Type Number	Part Number	Part Number	Type Number
BS9482	II38568F	II38568F	BS9482
BS9483	II38569F	II38569F	BS9483
BS9484	II38570F	II38570F	BS9484
BS9485	II38581F	II38581F	BS9485
BS9486	II38599F	II38599F	BS9486
BS9488	II39575F	K007138N00	BS8460
BS9489	II39576F	K007139N00	BS8461
BS9491	II39668F *	K004031000	BS9491
BS9491	K004031	K004031000	BS9491
BS9492	II39669F *	K004032000	BS9492
BS9492	K004032	K004032000	BS9492
BS9497	II40310F	II40310FN00	BS9497
BS9498	II40311F	II40311FN00	BS9498
BS9499	II40323F	II40323FN00	BS9499
BS9500	II32608 *	K004050000	BS9500
BS9500	K004050	K004050000	BS9500
BS9502	II32703 *	K004052N00	BS9502
BS9502	II32703ES *	K004052N00	BS9502
BS9502	K004052	K004052N00	BS9502
BS9503	II31408	II31408	BS9503
BS9503	II31408AT	II31408	BS9503
BS9503	II31408ES	II31408	BS9503
BS9504	II32609 *	K002862N00	BS9504
BS9504	II32609AT *	K002862N00	BS9504
BS9504	II32609ES *	K002862N00	BS9504
BS9504	K002862	K002862N00	BS9504
BS9505	II32697 *	K002863N00	BS9505
BS9505	K002863	K002863N00	BS9505
BS9506	II32009	II32009	BS9506
BS9507	II32161 *	K004046N00	BS9507
BS9507	II32161ES *	K004046N00	BS9507
BS9507	K004046	K004046N00	BS9507
BS9508	II32173 *	K004051000	BS9508
BS9508	K004051	K004051000	BS9508
BS9509	II32174 *	K004053000	BS9509
BS9509	K004053	K004053000	BS9509
BS9510	II33679	K018094N00	BS9510
BS9510	II33679AS	K018094N00	BS9510

**Cross References – Original Brake Actuator to Rationalised Brake Actuator
Listed in Knorr-Bremse OE Type Number order**

Knorr-Bremse Original Brake Actuator		Knorr-Bremse Rationalised Brake Actuator	
Type Number	Part Number	Part Number	Type Number
BS9510	II33679ES	K018094N00	BS9510
BS9514	II33062 *	K004047N00	BS9514
BS9514	II33062ES *	K004047N00	BS9514
BS9514	K004047	K004047N00	BS9514
BS9515	II33063 *	K004048N00	BS9515
BS9515	K004048	K004048N00	BS9515
BS9516	II33064 *	K004049000	BS9516
BS9516	K004049	K004049000	BS9516
BS9517	II33996	II39614F	BS8519
BS9520	II34388	II34388	BS9520
BS9520	II34388AT	II34388	BS9520
BS9520	II34388ES	II34388	BS9520
BS9522	II34870	II34870	BS9522
BS9522	II34870AT	II34870	BS9522
BS9524	II35699	II35699000	BS9524
BS9524	II35699ES	II35699000	BS9524
BS9526	II19461	II38470F000	BS8500
BS9527	II34198	II34198000	BS9527
BS9527	II34198ES	II34198000	BS9527
BS9528	II35719	II35719	BS9528
BS9531	II37124	K018095N00	BS9531
BS9534	II37282	II37282	BS9534
BS9535	II37468	II37468	BS9535
BS9536	II37747	II37747000	BS9536
BS9543	K011452	K011452000	BS9543

¹ When fitting a replacement rationalised brake actuator it is also necessary to change the plug connection system with the kit K013514

Cross References - Original Brake Actuator to Rationalised Brake Actuator

Knorr-Bremse OE Brake Actuator **Part** Number e.g. II32693 or K006507 or Y002657
to Knorr-Bremse Rationalised Brake Actuator 29-45

3 (3.2)**Cross References – Original Brake Actuator to Rationalised Brake Actuator**

Listed in Knorr-Bremse OE Part Number order

Knorr-Bremse Original Brake Actuator		Knorr-Bremse Rationalised Brake Actuator	
Part Number	Type Number	Part Number	Type Number
II14535	BS3300	II14535	BS3300
II14535ES	BS3300	II14535	BS3300
II14540	BS3450	II14540	BS3450
II15227	BS3500	II15227	BS3500
II15229	BS3350	II15229	BS3350
II18209	BS3502	II18209	BS3502
II18210	BS3503	II18210	BS3503
II18224	BS9398	II18224	BS9398
II18224ES	BS9398	II18224	BS9398
II18850	BS3451	II18850	BS3451
II18886	BS3452	II18886	BS3452
II19019	BS3507	K015585	BS3507
II19458	BS3508	II19458N00	BS3508
II19461	BS9526	II38470F000	BS8500
II30477	BS9450	II30477	BS9450
II30477AT	BS9450	II30477	BS9450
II30614 *	BS3301	K004146N00	BS3301
II30616	BS3402	II30616	BS3402
II30617	BS3403	II30617	BS3403
II30618	BS3509	II30618	BS3509
II30619	BS9304	II30619	BS9304
II30619AT	BS9304	II30619	BS9304
II30619ES	BS9304	II30619	BS9304
II31097	BS9426	II31097	BS9426
II31097AT	BS9426	II31097	BS9426
II31098	BS3404	II31098	BS3404
II31099	BS3453	II31099	BS3453
II31100	BS3551	II31100	BS3551
II31101	BS3601	II31101	BS3601
II31105	BS3511	K015586	BS3511
II31226	BS9451	II31226	BS9451
II31226AT	BS9451	II31226	BS9451
II31226ES	BS9451	II31226	BS9451
II31227	BS9397	II31227	BS9397
II31227AT	BS9397	II31227	BS9397
II31227ES	BS9397	II31227	BS9397
II31407	BS9404	II31407	BS9404
II31407AT	BS9404	II31407	BS9404

Cross References – Original Brake Actuator to Rationalised Brake Actuator
Listed in Knorr-Bremse OE Part Number order

Knorr-Bremse Original Brake Actuator		Knorr-Bremse Rationalised Brake Actuator	
Part Number	Type Number	Part Number	Type Number
II31407ES	BS9404	II31407	BS9404
II31408	BS9503	II31408	BS9503
II31408AT	BS9503	II31408	BS9503
II31408ES	BS9503	II31408	BS9503
II31651	BS3517	II31651	BS3517
II31652	BS3518	II31652	BS3518
II31663	BS9349	II31663	BS9349
II31782	BS3251	II31782	BS3251
II31783	BS9297	II31783	BS9297
II31783AT	BS9297	II31783	BS9297
II31783ES	BS9297	II31783	BS9297
II32009	BS9506	II32009	BS9506
II32159	BS9395	K007646	BS9395
II32159ES	BS9395	K007646	BS9395
II32160	BS9396	K007647	BS9396
II32160ES	BS9396	K007647	BS9396
II32161*	BS9507	K004046N00	BS9507
II32161ES*	BS9507	K004046N00	BS9507
II32164	BS3520	K015587	BS3520
II32165	BS3521	K015588	BS3521
II32169*	BS3410	K004207N00	BS3410
II32170*	BS3411	K004209N00	BS3411
II32171*	BS3412	K004211N00	BS3412
II32172*	BS3522	K002722N00	BS3522
II32173*	BS9508	K004051000	BS9508
II32174*	BS9509	K004053000	BS9509
II32175*	BS9311	K002858N00	BS9311
II32175ES*	BS9311	K002858N00	BS9311
II32592*	BS3401	K004171N00	BS3401
II32593*	BS3524	K002723N00	BS3524
II32594*	BS3525	K002724N00	BS3525
II32595*	BS3409	K004172N00	BS3409
II32596*	BS3501	K002623N00	BS3501
II32597*	BS3514	K002624N00	BS3514
II32598*	BS3515	K002720N00	BS3515
II32599*	BS3516	K002721N00	BS3516
II32600*	BS9305	K002855N00	BS9305
II32600AT*	BS9305	K002855N00	BS9305

¹ When fitting a replacement rationalised brake actuator it is also necessary to change the plug connection system with the kit K013514

3 (3.2)**Cross References – Original Brake Actuator to Rationalised Brake Actuator**

Listed in Knorr-Bremse OE Part Number order

Knorr-Bremse Original Brake Actuator		Knorr-Bremse Rationalised Brake Actuator	
Part Number	Type Number	Part Number	Type Number
II32601 *	BS9306	K002854N00	BS9306
II32602 *	BS9407	K004029N00	BS9407
II32604 *	BS9405	K004033N00	BS9405
II32604ES *	BS9405	K004033N00	BS9405
II32605 *	BS9406	K004034N00	BS9406
II32606 *	BS9409	K004035N00	BS9409
II32606AT *	BS9409	K004035N00	BS9409
II32607 *	BS9410	K004036N00	BS9410
II32607AT *	BS9410	K004036N00	BS9410
II32608 *	BS9500	K004050000	BS9500
II32609 *	BS9504	K002862N00	BS9504
II32609AT *	BS9504	K002862N00	BS9504
II32609ES *	BS9504	K002862N00	BS9504
II32697 *	BS9505	K002863N00	BS9505
II32700 *	BS9308	K002859N00	BS9308
II32700ES *	BS9308	K002859N00	BS9308
II32701 *	BS9411	K002861N00	BS9411
II32701AT *	BS9411	K002861N00	BS9411
II32701ES *	BS9411	K002861N00	BS9411
II32702 *	BS9412	K002860N00	BS9412
II32702AT *	BS9412	K002860N00	BS9412
II32702ES *	BS9412	K002860N00	BS9412
II32703 *	BS9502	K004052N00	BS9502
II32703ES *	BS9502	K004052N00	BS9502
II32710	BS3415	II32710	BS3415
II32723	BS3526	K015591	BS3526
II32963 *	BS3250	K003968N00	BS3250
II33050	BS3255	II33050	BS3255
II33062 *	BS9514	K004047N00	BS9514
II33062ES *	BS9514	K004047N00	BS9514
II33063 *	BS9515	K004048N00	BS9515
II33064 *	BS9516	K004049000	BS9516
II33648	BS9296	K007642	BS9296
II33648ES	BS9296	K007642	BS9296
II33679	BS9510	K018094N00	BS9510
II33679AT	BS9510	K018094N00	BS9510
II33679ES	BS9510	K018094N00	BS9510
II33767 *	BS9320	K002857N00	BS9320

Cross References – Original Brake Actuator to Rationalised Brake Actuator
Listed in Knorr-Bremse OE Part Number order

Knorr-Bremse Original Brake Actuator		Knorr-Bremse Rationalised Brake Actuator	
Part Number	Type Number	Part Number	Type Number
II33770 *	BS9321	K002856N00	BS9321
II33886	BS9295	K007643	BS9295
II33903	BS3528	K015592	BS3528
II33996	BS9517	II39614F	BS8519
II33999	BS9354	K009968	BT4800
II34000	BS9421	K009970	BT5800
II34000ES	BS9421	K009970	BT5800
II34021 *	BS3602	K004645N00	BS3602
II34184	BS9355	K009969	BT4801
II34185	BS9424	K009971	BT5801
II34185ES	BS9424	K009971	BT5801
II34198	BS9527	II34198000	BS9527
II34198ES	BS9527	II34198000	BS9527
II34211 *	BS3603	K004646N00	BS3603
II34388	BS9520	II34388	BS9520
II34388AT	BS9520	II34388	BS9520
II34388ES	BS9520	II34388	BS9520
II34389	BS9458	II34389	BS9458
II34392 *	BS9427	K004025N00	BS9427
II34393 *	BS9428	K004026N00	BS9728
II34670	BS3456	II34670	BS3456
II34671	BS3457	II34671	BS3457
II34850 *	BS3604	K004647N00	BS3604
II34851 *	BS3605	K004648N00	BS3605
II34870	BS9522	II34870	BS9522
II34870AT	BS9522	II34870	BS9522
II35699	BS9524	II35699000	BS9524
II35699ES	BS9524	II35699000	BS9524
II35719	BS9528	II35719	BS9528
II35736	BS9356	II35736	BS9356
II36338	BS9196	II36338	BS9196
II36338ES	BS9196	II36338	BS9196
II36778	BS3354	K003030	BS3354
II36779	BS3423	K003020	BS3423
II36780	BS3458	K003012	BS3458
II36781	BS3532	K002420	BS3532
II36962	BS9433	II36962	BS9433
II36962ES	BS9433	II36962	BS9433

¹ When fitting a replacement rationalised brake actuator it is also necessary to change the plug connection system with the kit K013514

3 (3.2)**Cross References – Original Brake Actuator to Rationalised Brake Actuator**

Listed in Knorr-Bremse OE Part Number order

Knorr-Bremse Original Brake Actuator		Knorr-Bremse Rationalised Brake Actuator	
Part Number	Type Number	Part Number	Type Number
II36967	BS3201	K008766	BS3201
II36968	BS3257	K010288	BS3257
II36969	BS3313	K003840	BS3313
II36972	BS9434	K007662	BS9434
II36972ES	BS9434	K007662	BS9434
II36972F	BS9434	K007662	BS9434
II37110	BS3314	K002978	BS3314
II37124	BS9531	K018095N00	BS9531
II37127	BS3538	II37127	BS3538
II37133	BS3536	K015589	BS3536
II37134	BS3537	K015590	BS3537
II37138 *	BS9390	II37138000	BS9390
II37138AT *	BS9390	II37138000	BS9390
II37138ES *	BS9390	II37138000	BS9390
II37139	BS9391	II37139000	BS9391
II37139ES	BS9391	II37139000	BS9391
II37140 *	BS3315	II37140000	BS3315
II37140ES *	BS3315	II37140000	BS3315
II37143 *	BS3606	K004649N00	BS3606
II37144 *	BS3607	K004650N00	BS3607
II37264 *	BS9326	K004022N00	BS9326
II37265 *	BS9327	K004023N00	BS9327
II37266 *	BS9437	K004042N00	BS9437
II37266AT *	BS9437	K004042N00	BS9437
II37266ES *	BS9437	K004042N00	BS9437
II37267 *	BS9438	K004043N00	BS9438
II37267ES	BS9438	K004043N00	BS9438
II37282	BS9534	II37282	BS9534
II37315	BS3316	K015579	BS3316
II37316	BS3317	K015580	BS3317
II37468	BS9535	II37468	BS9535
II37472	BS3539	II37472N00	BS3539
II37520	BS9193	II37520	BS9193
II37520ES	BS9193	II37520	BS9193
II37747	BS9536	II37747000	BS9536
II37861	BS3202	K006506N00	BS3212
II37863	BS3318	K006510N00	BS2306
II37864	BS3355	K006646N00	BS3368

Cross References – Original Brake Actuator to Rationalised Brake Actuator
Listed in Knorr-Bremse OE Part Number order

Knorr-Bremse Original Brake Actuator		Knorr-Bremse Rationalised Brake Actuator	
Part Number	Type Number	Part Number	Type Number
II37865	BS3424	K006648N00	BS2429
II37866	BS9190	K007039000	BS9178
II37867	BS9189	K007038N00	BS9177
II37868	BS9294	K007041N00	BS9281
II37869	BS9293	K007040N00	BS9282
II37870	BS9387	K007049N00	BS8338
II37871	BS9386	K007045000	BS8337
II37883	BS9332	II37883	BS9332
II37885	BS9357	K007055N00	BS9350
II37886	BS9358	K007054N00	BS9351
II37887	BS9445	K007086N00	BS9418
II37888	BS9446	K007087N00	BS9419
II37906	BS9461	II37906	BS9461
II38049F	BS9188	II38049F	BS9188
II38105F	BS3320	II38105F	BS3320
II38107F	BS3430	II38107F	BS3430
II38110F	BS9335	II38110F	BS9335
II38110FAT	BS9335	II38110F	BS9335
II38110FES	BS9335	II38110F	BS9335
II38111F	BS3321	II38111F	BS3321
II38116F	BS9462	II38116F	BS9462
II38122F	BS9383	II38122F	BS9383
II38124F	BS9471	II38124F	BS9471
II38132F	BS9463	II38132F	BS9463
II38393F	BS9474	II38393F	BS9474
II38394F	BS9475	II38394F	BS9475
II38400F	BS3204	K006507N00	BS3213
II38402F	BS3322	K006511N00	BS2307
II38403F	BS3357	K006647N00	BS3369
II38404F	BS3433	K006649N00	BS3433
II38408F	BS9476	II38408F	BS9476
II38408FES	BS9476	II38408F	BS9476
II38411F *	BS3323	II38411FN00	BS3323
II38412F *	BS3324	II38412FN00	BS3324
II38413F *	BS3434	K004485N00	BS3434
II38414F *	BS3435	K004486N00	BS3435
II38428F	BS9287	II38428F	BS9287
II38455F	BS3263	II38455F	BS3263

¹ When fitting a replacement rationalised brake actuator it is also necessary to change the plug connection system with the kit K013514

3 (3.2)**Cross References – Original Brake Actuator to Rationalised Brake Actuator**

Listed in Knorr-Bremse OE Part Number order

Knorr-Bremse Original Brake Actuator		Knorr-Bremse Rationalised Brake Actuator	
Part Number	Type Number	Part Number	Type Number
II38462F *	BS3325	K004144N00	BS3325
II38465F	BS9379	II38465F	BS9379
II38465FES	BS9379	II38465F	BS9379
II38466F	BS3326	II38466F	BS3326
II38467F	BS9338	II38467F	BS9338
II38467FES	BS9338	II38467F	BS9338
II38470F	BS8500	II38470F000	BS8500
II38470FAT	BS8500	II38470F000	BS8500
II38470FES	BS8500	II38470F000	BS8500
II38471F	BS8501	II38471F000	BS8501
II38471FES	BS8501	II38471F000	BS8501
II38472F	BS2500	K006487N00	BS2500
II38473F	BS2501	K006488N00	BS2501
II38474F	BS2502	K006489N00	BS2502
II38475F	BS2503	K006490N00	BS2503
II38486F	BS8502	II38486F	BS8502
II38487F	BS8503	II38487F	BS8503
II38488F	BS9092	K007625	BS9092
II38488FAT	BS9092	K007625	BS9092
II38489F	BS9093	K007626	BS9093
II38496F	BS9377	II38496F	BS9377
II38496FAT	BS9377	II38496F	BS9377
II38496FES	BS9377	II38496F	BS9377
II38497F	BS9378	II38497F	BS9378
II38497FES	BS9378	II38497F	BS9378
II38522F	BS9478	II38522F	BS9478
II38527F	BS3358	II38527F	BS3358
II38528F	BS3436	II38528F	BS3436
II38529F	BS3462	II38529F	BS3462
II38530F	BS3547	II38530F	BS3547
II38531F	BS9286	II38531F	BS9286
II38532F	BS9346	II38532F	BS9346
II38533F	BS9479	II38533F	BS9479
II38546F	BS8505	II38546F	BS8505
II38547F	BS8506	II38547F	BS8506
II38547FES	BS8506	II38547F	BS8506
II38551F *	BS9480	K004040N00	BS9480
II38552F *	BS9481	K004041N00	BS9481

Cross References – Original Brake Actuator to Rationalised Brake Actuator
Listed in Knorr-Bremse OE Part Number order

Knorr-Bremse Original Brake Actuator		Knorr-Bremse Rationalised Brake Actuator	
Part Number	Type Number	Part Number	Type Number
II38556F	BS3327	K002618	BS3327
II38568F	BS9482	II38568F	BS9482
II38569F	BS9483	II38569F	BS9483
II38570F	BS9484	II38570F	BS9484
II38574F	BS3437	II38574F	BS3437
II38578F	BS9376	II38578F	BS9376
II38580F	BS9339	II38580F	BS9339
II38580FES	BS9339	II38580F	BS9339
II38581F	BS9485	II38581F	BS9485
II38589F	BS3331	II38589F	BS3331
II38591F	BS3440	II38591F	BS3440
II38595F	BS9375	II38595F	BS9375
II38599F	BS9486	II38599F	BS9486
II38922F	BS8516	II38922F	BS8516
II38924F	BS3361	II38924F	BS3361
II39193F	BS3207	K008768	BS3207
II39196F	BS3269	K010290	BS3269
II39199F	BS3362	K003031	BS3362
II39201F	BS3441	K003021	BS3441
II39203F	BS3467	K003013	BS3467
II39205F	BS2504	K002556	BS2504
II39210F	BS9090	II39210F	BS9090
II39212F	BS9374	II39212FN00	BS9374
II39213F	BS9373	II39213FN00	BS9373
II39214F	BS3270	II39214FN00	BS3270
II39215F	BS3271	II39215FN00	BS3271
II39218F	BS3335	II39218F	BS3335
II39219F	BS8517	II39219F	BS8517
II39219F000AT	BS8517	II39219F	BS8517
II39220F	BS8518	II39220F	BS8518
II39323F	BS3442	II39323F	BS3442
II39324F	BS3443	II39324F	BS3443
II39374F	BS3336	II39374F	BS3336
II39375F	BS3337	II39375F	BS3337
II39575F	BS9488	K007138N00	BS8460
II39576F	BS9489	K007139N00	BS8461
II39578F	BS3468	K006653N00	BS3474
II39579F	BS3469	K006654N00	BS3475

¹ When fitting a replacement rationalised brake actuator it is also necessary to change the plug connection system with the kit K013514

3 (3.2)**Cross References – Original Brake Actuator to Rationalised Brake Actuator**

Listed in Knorr-Bremse OE Part Number order

Knorr-Bremse Original Brake Actuator		Knorr-Bremse Rationalised Brake Actuator	
Part Number	Type Number	Part Number	Type Number
II39600F	BS9359	K010672N00	BS9342
II39601F	BS9360	K010673N00	BS9343
II39602F	BS3363	II39602FN00	BS3363
II39603F	BS3364	II39603FN00	BS3364
II39614F	BS8519	II39614F	BS8519
II39668F *	BS9491	K004031000	BS9491
II39669F *	BS9492	K004032000	BS9492
II39687F	BS8302	II39687FN00	BS8302
II39693F	BS3338	K006334N00	BS3338
II39694F	BS3444	K006371N00	BS3444
II39918F	BS3152	II39918F	BS3152
II39925F	BS8304	K010674N00	BS9312
II39926F	BS8305	K010675N00	BS9314
II39927F	BS3340	II39927FN00	BS3340
II39928F	BS3341	II39928FN00	BS3341
II39929F *	BS8520	II39929FN00	BS8520
II39930F *	BS8521	II39930FN00	BS8521
II39935F	BS9088	K007627	BS9088
II39936F	BS9089	K007628	BS9089
II39958F	BS8522	II39958F	BS8522
II39964F	BS2505	II39964F	BS2505
II39965F	BS2506	II39965F	BS2506
II40308F	BS8311	II40308FN00	BS8311
II40309F	BS8312	II40309FN00	BS8312
II40310F	BS9497	II40310FN00	BS9497
II40311F	BS9498	II40311FN00	BS9498
II40323F	BS9499	II40323FN00	BS9499
II40349F *	BS3273	K003969N00	BS3273
II40357F	BS3274	II40357F	BS3274
II40358F	BS3275	II40358F	BS3275
II40500F	BS8450	II40500F	BS8450
II40501F	BS8451	II40501F	BS8451
K000575	BS3153	K000575	BS3153
K000699	BS8452	K000699	BS8452
K000700	BS8453	K000700	BS8453
K000843 *	BS8533	K000843000	BS8533
K000844 *	BS8534	K000844000	BS8534
K000909	BS9362	K000909	BS9362

Cross References – Original Brake Actuator to Rationalised Brake Actuator
Listed in Knorr-Bremse OE Part Number order

Knorr-Bremse Original Brake Actuator		Knorr-Bremse Rationalised Brake Actuator	
Part Number	Type Number	Part Number	Type Number
K000910	BS9363	K000910	BS9363
K000976	BS8316	K000976	BS8316
K000977	BS8317	K000977	BS8317
K000978	BS9265	K000978	BS9265
K000979	BS9266	K000979	BS9266
K001027	BS2514	K002843	BS2514
K001028	BS2515	K002844	BS2515
K001029	BS9086	K007629	BS9086
K001030	BS9087	K007630	BS9087
K001031	BS8413	K007668	BS8413
K001032	BS8414	K007669	BS8414
K001123	BS8420	K001123	BS8420
K001124	BS8421	K001124	BS8421
K001181	BS8320	K001181	BS8320
K001182	BS8321	K001182	BS8321
K001214	BS3471	K001214	BS3471
K001215	BS3472	K001215	BS3472
K001238	BS8415	K001238	BS8415
K001294	BS2402	K015581	BS2402
K001299 *	BS3278	K001299N00	BS3278
K001436	BS9083	K007631	BS9083
K001437	BS9084	K007632	BS9084
K001603	BS2516	K006655N00	BS2523
K001604	BS2517	K006656N00	BS2524
K001605	BS8540	K007135000	BS8507
K001606	BS8541	K007136000	BS8508
K001760	BS8424	K007130000	BS8458
K001761	BS8425	K007131N00	BS8459
K001898	BS8322	K001898	BS8322
K001899	BS8323	K001899	BS8323
K001902	BS9269	K001902	BS9269
K001903	BS9270	K001903	BS9270
K001970	BS8426	K007677	BS8426
K001971	BS8427	K007678	BS8427
K002002	BS9370	K002002	BS9370
K002003	BS9371	K002003	BS9371
K002097	BS8328	K007655	BS8328
K002098	BS8329	K007656	BS8329

* When fitting a replacement rationalised brake actuator it is also necessary to change the plug connection system with the kit K013514

3 (3.2)**Cross References – Original Brake Actuator to Rationalised Brake Actuator**

Listed in Knorr-Bremse OE Part Number order

Knorr-Bremse Original Brake Actuator		Knorr-Bremse Rationalised Brake Actuator	
Part Number	Type Number	Part Number	Type Number
K002200 *	BS8430	K002200	BS8430
K002201 *	BS8431	K002201	BS8431
K002420	BS3532	K002420	BS3532
K002556	BS2504	K002556	BS2504
K002618	BS3327	K002618	BS3327
K002623	BS3501	K002623N00	BS3501
K002624	BS3514	K002624N00	BS3514
K002720	BS3515	K002720N00	BS3515
K002721	BS3516	K002721N00	BS3516
K002722	BS3522	K002722N00	BS3522
K002723	BS3524	K002723N00	BS3524
K002724	BS3525	K002724N00	BS3525
K002843	BS2514	K002843	BS2514
K002844	BS2515	K002844	BS2515
K002848	BS3301	K004146N00	BS3301
K002849	BS3411	K004209N00	BS3411
K002850	BS3412	K004211N00	BS3412
K002851	BS3501	K002623N00	BS3501
K002852	BS3516	K002721N00	BS3516
K002853	BS3522	K002722N00	BS3522
K002854	BS9306	K002854N00	BS9306
K002855	BS9305	K002855N00	BS9305
K002856	BS9321	K002856N00	BS9321
K002857	BS9320	K002857N00	BS9320
K002858	BS9311	K002858N00	BS9311
K002859	BS9308	K002859N00	BS9308
K002860	BS9412	K002860N00	BS9412
K002861	BS9411	K002861N00	BS9411
K002862	BS9504	K002862N00	BS9504
K002863	BS9505	K002863N00	BS9505
K002941	BS2406	K015583	BS2406
K002942	BS2407	K015584	BS2407
K002955	BS8434	K002955	BS8434
K002956	BS8435	K002956	BS8435
K002972	BS9082	K002972	BS9082
K002978	BS3314	K002978	BS3314
K003012	BS3458	K003012	BS3458
K003013	BS3467	K003013	BS3467

Cross References – Original Brake Actuator to Rationalised Brake Actuator
Listed in Knorr-Bremse OE Part Number order

Knorr-Bremse Original Brake Actuator		Knorr-Bremse Rationalised Brake Actuator	
Part Number	Type Number	Part Number	Type Number
K003020	BS3423	K003020	BS3423
K003021	BS3441	K003021	BS3441
K003030	BS3354	K003030	BS3354
K003031	BS3362	K003031	BS3362
K003070	BS2408	K015582	BS2408
K003676	BS9179	K007640	BS9179
K003677	BS9180	K007641	BS9180
K003840	BS3313	K003840	BS3313
K003968	BS3250	K003968N00	BS3250
K003969	BS3273	K003969N00	BS3273
K003990	BS3325	K004144N00	BS3325
K003991	BS3401	K004171N00	BS3401
K003992	BS3409	K004172N00	BS3409
K003993	BS3410	K004207N00	BS3410
K003996	BS3514	K002624N00	BS3514
K003997	BS3515	K002720N00	BS3515
K004000	BS3602	K004645N00	BS3602
K004002	BS3603	K004646N00	BS3603
K004003	BS3604	K004647N00	BS3604
K004004	BS3605	K004648N00	BS3605
K004005	BS3606	K004649N00	BS3606
K004006	BS3607	K004650N00	BS3607
K004022	BS9326	K004022N00	BS9326
K004023	BS9327	K004023N00	BS9327
K004025	BS9427	K004025N00	BS9427
K004026	BS9428	K004026N00	BS9728
K004029	BS9407	K004029N00	BS9407
K004031	BS9491	K004031000	BS9491
K004032	BS9492	K004032000	BS9492
K004033	BS9405	K004033N00	BS9405
K004034	BS9406	K004034N00	BS9406
K004035	BS9409	K004035N00	BS9409
K004036	BS9410	K004036N00	BS9410
K004040	BS9480	K004040N00	BS9480
K004041	BS9481	K004041N00	BS9481
K004042	BS9437	K004042N00	BS9437
K004043	BS9438	K004043N00	BS9438
K004044	BS8402	K004044000	BS8402

3 (3.2)**Cross References – Original Brake Actuator to Rationalised Brake Actuator**

Listed in Knorr-Bremse OE Part Number order

Knorr-Bremse Original Brake Actuator		Knorr-Bremse Rationalised Brake Actuator	
Part Number	Type Number	Part Number	Type Number
K004045	BS8403	K004045000	BS8403
K004046	BS9507	K004046N00	BS9507
K004047	BS9514	K004047N00	BS9514
K004048	BS9515	K004048N00	BS9515
K004049	BS9516	K004049000	BS9516
K004050	BS9500	K004050000	BS9500
K004051	BS9508	K004051000	BS9508
K004052	BS9502	K004052N00	BS9502
K004053	BS9509	K004053000	BS9509
K004074	BS9476	K004074	BS9476
K004075	BS9478	K004075	BS9478
K004144	BS3325	K004144N00	BS3325
K004146	BS3301	K004146N00	BS3301
K004171	BS3401	K004171N00	BS3401
K004172	BS3409	K004172N00	BS3409
K004207	BS3410	K004207N00	BS3410
K004209	BS3411	K004209N00	BS3411
K004211	BS3412	K004211N00	BS3412
K004286 *	BS3273	K004286N00	BS3273
K004485	BS3434	K004485N00	BS3434
K004486	BS3435	K004486N00	BS3435
K004645	BS3602	K004645N00	BS3602
K004646	BS3603	K004646N00	BS3603
K004647	BS3604	K004647N00	BS3604
K004648	BS3605	K004648N00	BS3605
K004649	BS3606	K004649N00	BS3606
K004650	BS3607	K004650N00	BS3607
K004737 *	BS3281	K004737N00	BS3281
K004765	BS2521	K004765	BS2521
K004767	BS2522	K004767	BS2522
K004876	BS8330	K004876N00	BS8330
K004877	BS8331	K004877N00	BS8331
K005059	BS8544	K005059	BS8544
K005060	BS8545	K005060	BS8545
K005486	BS8332	K007648	BS8332
K005487	BS8333	K007649	BS8333
K005488	BS8334	K007653	BS8334
K005489	BS8335	K007654	BS8335

Cross References – Original Brake Actuator to Rationalised Brake Actuator
Listed in Knorr-Bremse OE Part Number order

Knorr-Bremse Original Brake Actuator		Knorr-Bremse Rationalised Brake Actuator	
Part Number	Type Number	Part Number	Type Number
K006334	BS3338	K006334N00	BS3338
K006339	BS3155	K006339	BS3155
K006371	BS3444	K006371N00	BS3444
K006487	BS2500	K006487N00	BS2500
K006488	BS2501	K006488N00	BS2501
K006489	BS2502	K006489N00	BS2502
K006490	BS2503	K006490N00	BS2503
K006506	BS3212	K006506N00	BS3212
K006507	BS3213	K006507N00	BS3213
K006510	BS2306	K006510N00	BS2306
K006511	BS2307	K006511N00	BS2307
K006646	BS3368	K006646N00	BS3368
K006647	BS3369	K006647N00	BS3369
K006648	BS2429	K006648N00	BS2429
K006649	BS2430	K006649N00	BS3433
K006653	BS3474	K006653N00	BS3474
K006654	BS3475	K006654N00	BS3475
K006655	BS2523	K006655N00	BS2523
K006656	BS2524	K006656N00	BS2524
K007038	BS9177	K007038N00	BS9177
K007039	BS9178	K007039000	BS9178
K007040	BS9282	K007040N00	BS9282
K007041	BS9281	K007041N00	BS9281
K007045	BS8337	K007045000	BS8337
K007049	BS8338	K007049N00	BS8338
K007054	BS9351	K007054N00	BS9351
K007055	BS9350	K007055N00	BS9350
K007086	BS9418	K007086N00	BS9418
K007087	BS9419	K007087N00	BS9419
K007130	BS8458	K007130000	BS8458
K007131	BS8459	K007131N00	BS8459
K007135	BS8507	K007135000	BS8507
K007136	BS8508	K007136000	BS8508
K007138	BS8460	K007138N00	BS8460
K007139	BS8461	K007139N00	BS8461
K007625	BS9092	K007625	BS9092
K007626	BS9093	K007626	BS9093
K007627	BS9088	K007627	BS9088

¹ When fitting a replacement rationalised brake actuator it is also necessary to change the plug connection system with the kit K013514

3 (3.2)**Cross References – Original Brake Actuator to Rationalised Brake Actuator**

Listed in Knorr-Bremse OE Part Number order

Knorr-Bremse Original Brake Actuator		Knorr-Bremse Rationalised Brake Actuator	
Part Number	Type Number	Part Number	Type Number
K007628	BS9089	K007628	BS9089
K007629	BS9086	K007629	BS9086
K007630	BS9087	K007630	BS9087
K007631	BS9083	K007631	BS9083
K007632	BS9084	K007632	BS9084
K007640	BS9179	K007640	BS9179
K007641	BS9180	K007641	BS9180
K007642	BS9296	K007642	BS9296
K007643	BS9295	K007643	BS9295
K007646	BS9395	K007646	BS9395
K007646ES	BS9395	K007646	BS9395
K007647	BS9396	K007647	BS9396
K007648	BS8332	K007648	BS8332
K007649	BS8333	K007649	BS8333
K007653	BS8334	K007653	BS8334
K007654	BS8335	K007654	BS8335
K007655	BS8328	K007655	BS8328
K007656	BS8329	K007656	BS8329
K007657	BS8420	K007657	BS8420
K007658	BS8421	K007658	BS8421
K007662	BS9434	K007662	BS9434
K007668	BS8413	K007668	BS8413
K007669	BS8414	K007669	BS8414
K007677	BS8426	K007677	BS8426
K007678	BS8427	K007678	BS8427
K008766	BS3201	K008766	BS3201
K008768	BS3207	K008768	BS3207
K009968	BS9354	K009968	BT4800
K009969	BS9355	K009969	BT4801
K009970	BS9421	K009970	BT5800
K009971	BS9424	K009971	BT5801
K010028	BS3478	K010028	BS3478
K010288	BS3257	K010288	BS3257
K010290	BS3269	K010290	BS3269
K010672	BS9342	K010672N00	BS9342
K010673	BS9343	K010673N00	BS9343
K010674	BS9312	K010674N00	BS9312
K010675	BS9314	K010675N00	BS9314

**Cross References – Original Brake Actuator to Rationalised Brake Actuator
Listed in Knorr-Bremse OE Part Number order**

Knorr-Bremse Original Brake Actuator		Knorr-Bremse Rationalised Brake Actuator	
Part Number	Type Number	Part Number	Type Number
K011359	BS9251	K011359	BS9251
K011360	BS9252	K011360	BS9252
K011452	BS9543	K011452000	BS9543
K015579	BS3316	K015579	BS3316
K015580	BS3317	K015580	BS3317
K015581	BS2402	K015581	BS2402
K015582	BS2408	K015582	BS2408
K015583	BS2406	K015583	BS2406
K015584	BS2407	K015584	BS2407
K015585	BS3507	K015585	BS3507
K015586	BS3511	K015586	BS3511
K015587	BS3520	K015587	BS3520
K015588	BS3521	K015588	BS3521
K015589	BS3536	K015589	BS3536
K015590	BS3537	K015590	BS3537
K015591	BS3526	K015591	BS3526
K015592	BS3528	K015592	BS3528
K015833	BS3800	K015833	BS3800
K015834	BS3801	K015834	BS3801
Y002657 *	BS8402	K004044000	BS8402
Y002658 *	BS8403	K004045000	BS8403
Y004227	BS3343	Y004227	BS3343
Y004232	BS3447	Y004232	BS3447
Y004245	BS8525	Y004245N00	BS8525
Y004246	BS8526	Y004246N00	BS8526

¹ When fitting a replacement rationalised brake actuator it is also necessary to change the plug connection system with the kit K013514

Cross References - Original Brake Actuator to Rationalised Brake Actuator

Vehicle Manufacturer OE Brake Actuator Part Number
to Knorr-Bremse Rationalised Brake Actuator 47-59

3 (3.3)**Cross References – Original Brake Actuator to Rationalised Brake Actuator**

Listed in Vehicle Manufacturer / OE Part Number order

OEM Brake Actuator		Knorr-Bremse Rationalised Brake Actuator	
Vehicle Manufacturer	OEM Part Number	Part Number	Type Number
BPW	02.032.74.500	II31099	BS3453
BPW	02.032.74.600	II31226	BS9451
BPW	02.032.74.700	II31100	BS3551
BPW	02.032.74.800	II31663	BS9349
BPW	02.032.75.000	II15229	BS3350
BPW	02.032.75.100	II31098	BS3404
BPW	02.032.75.200	II30618	BS3509
BPW	02.032.75.300	II31101	BS3601
BPW	02.032.75.400	II31227	BS9397
BPW	02.032.75.500	II30619	BS9304
BPW	02.032.75.600	II31407	BS9404
BPW	02.032.75.800	II31408	BS9503
BPW	02.032.75.900	II14535	BS3300
BPW	02.032.76.000	II31782	BS3251
BPW	02.032.76.100	II31783	BS9297
BPW	02.032.77.000	II38589F	BS3331
BPW	02.032.77.100	II38105F	BS3320
BPW	02.032.77.400	II38107F	BS3430
BPW	02.032.77.500	II38591F	BS3440
BPW	02.327.66.000	II38124F	BS9471
BPW	02.327.67.000	II38599F	BS9486
BPW	04.313.00.300	II37520	BS9193
BPW	04.313.00.400	II36338	BS9196
BREDAME	D041560	II38428F	BS9287
DAF	1142080	II39215FN00	BS3271
DAF	1142081	II39214FN00	BS3270
DAF	1142163	II39212FN00	BS9374
DAF	1142164	II39213FN00	BS9373
DAF	1402387	K007138N00	BS8460
DAF	1402481	K007139N00	BS8461
DAF	1640558	K007139N00	BS8461
DAF	1640559	K007138N00	BS8460
DANA	SM487/54K	II39964F	BS2505
DANA	SM487/55K	II39965F	BS2506
DANA	SM487/56K	II40358F	BS3275
DANA	SM487/57K	II40357F	BS3274
DANA	SM487/59K	II31652	BS3518
DANA	SM487/60K	II31651	BS3517

Cross References – Original Brake Actuator to Rationalised Brake Actuator
Listed in Vehicle Manufacturer / OE Part Number order

OEM Brake Actuator		Knorr-Bremse Rationalised Brake Actuator	
Vehicle Manufacturer	OEM Part Number	Part Number	Type Number
DANA	SM487/63K	K001215	BS3472
DANA	SM487/64K	K001214	BS3471
DaimlerChrysler	A0054203824 *	K003968N00	BS3250
DaimlerChrysler	A0054203924 *	K004146N00	BS3301
DaimlerChrysler	A0054206824 *	K004171N00	BS3401
DaimlerChrysler	A0054206924 *	K002723N00	BS3524
DaimlerChrysler	A0054207024 *	K002724N00	BS3525
DaimlerChrysler	A0054207124 *	K004172N00	BS3409
DaimlerChrysler	A0054207224 *	K004207N00	BS3410
DaimlerChrysler	A0054207324 *	K004209N00	BS3411
DaimlerChrysler	A0054207424 *	K004211N00	BS3412
DaimlerChrysler	A0054207724 *	K002624N00	BS3514
DaimlerChrysler	A0054207824 *	K004144N00	BS3325
DaimlerChrysler	A0054208024 *	K002722N00	BS3522
DaimlerChrysler	A0054208224 *	K002623N00	BS3501
DaimlerChrysler	A0054208424 *	K002720N00	BS3515
DaimlerChrysler	A0054208524 *	K002721N00	BS3516
DaimlerChrysler	A0064201924 *	K004645N00	BS3602
DaimlerChrysler	A0064202024 *	K004646N00	BS3603
DaimlerChrysler	A0064202124 *	K004647N00	BS3604
DaimlerChrysler	A0064202224 *	K004648N00	BS3605
DaimlerChrysler	A0064204924 *	K004649N00	BS3606
DaimlerChrysler	A0064205024 *	K004650N00	BS3607
DaimlerChrysler	A0064205324 *	II37140000	BS3315
DaimlerChrysler	A0064209124 *	II38411FN00	BS3323
DaimlerChrysler	A0064209224 *	II38412FN00	BS3324
DaimlerChrysler	A0064209324 *	K004485N00	BS3434
DaimlerChrysler	A0064209424 *	K004486N00	BS3435
DaimlerChrysler	A0074203024 *	K003969N00	BS3273
DaimlerChrysler	A0074205224 *	K001299N00	BS3278
DaimlerChrysler	A0074208024	K004146N00	BS3301
DaimlerChrysler	A0074208124	K004209N00	BS3411
DaimlerChrysler	A0074208224	K004211N00	BS3412
DaimlerChrysler	A0074208324	K002623N00	BS3501
DaimlerChrysler	A0074208424	K002722N00	BS3522
DaimlerChrysler	A0074209924	K003968N00	BS3250
DaimlerChrysler	A0084200824	K002723N00	BS3524
DaimlerChrysler	A0084200924	K002724N00	BS3525

¹ When fitting a replacement rationalised brake actuator it is also necessary to change the plug connection system with the kit K013514

3 (3.3)

Cross References – Original Brake Actuator to Rationalised Brake Actuator

Listed in Vehicle Manufacturer / OE Part Number order

OEM Brake Actuator		Knorr-Bremse Rationalised Brake Actuator	
Vehicle Manufacturer	OEM Part Number	Part Number	Type Number
DaimlerChrysler	A0084201024	K002624N00	BS3514
DaimlerChrysler	A0084201124	K002720N00	BS3515
DaimlerChrysler	A0084201424	K004144N00	BS3325
DaimlerChrysler	A0084201524	K004171N00	BS3401
DaimlerChrysler	A0084201624	K004172N00	BS3409
DaimlerChrysler	A0084201724	K004207N00	BS3410
DaimlerChrysler	A0084201824	K004645N00	BS3602
DaimlerChrysler	A0084201924	K004646N00	BS3603
DaimlerChrysler	A0084202024	K004647N00	BS3604
DaimlerChrysler	A0084202124	K004648N00	BS3605
DaimlerChrysler	A0084202224	K004649N00	BS3606
DaimlerChrysler	A0084202324	K004650N00	BS3607
DaimlerChrysler	A0084203624	K004486N00	BS3435
DaimlerChrysler	A0084203724	K004485N00	BS3434
DaimlerChrysler	A0084204324 *	K004737N00	BS3281
DaimlerChrysler	A0154202518 *	K002857N00	BS9320
DaimlerChrysler	A0154204018 *	K002858N00	BS9311
DaimlerChrysler	A0154204118 *	K002859N00	BS9308
DaimlerChrysler	A0154204618 *	K002860N00	BS9412
DaimlerChrysler	A0154204718 *	K002861N00	BS9411
DaimlerChrysler	A0154205218 *	K004053000	BS9509
DaimlerChrysler	A0154205318 *	K004052N00	BS9502
DaimlerChrysler	A0154208018 *	K002854N00	BS9306
DaimlerChrysler	A0154208118 *	K002855N00	BS9305
DaimlerChrysler	A0154208318 *	K004029N00	BS9407
DaimlerChrysler	A0154208518 *	K004033N00	BS9405
DaimlerChrysler	A0154208618 *	K004034N00	BS9406
DaimlerChrysler	A0154208718 *	K004035N00	BS9409
DaimlerChrysler	A0154208818 *	K004036N00	BS9410
DaimlerChrysler	A0154209518 *	K004050000	BS9500
DaimlerChrysler	A0154209618 *	K004051000	BS9508
DaimlerChrysler	A0154209718 *	K002862N00	BS9504
DaimlerChrysler	A0154209818 *	K002863N00	BS9505
DaimlerChrysler	A0164200818 *	K004047N00	BS9514
DaimlerChrysler	A0164200918 *	K004046N00	BS9507
DaimlerChrysler	A0164201018 *	K004049000	BS9516
DaimlerChrysler	A0164201118 *	K004048N00	BS9515
DaimlerChrysler	A0164208018 *	K002856N00	BS9321

Cross References – Original Brake Actuator to Rationalised Brake Actuator
Listed in Vehicle Manufacturer / OE Part Number order

OEM Brake Actuator		Knorr-Bremse Rationalised Brake Actuator	
Vehicle Manufacturer	OEM Part Number	Part Number	Type Number
DaimlerChrysler	A0164209318 *	K004026N00	BS9728
DaimlerChrysler	A0164209418 *	K004025N00	BS9427
DaimlerChrysler	A0174205818 *	K004023N00	BS9327
DaimlerChrysler	A0174205918 *	K004022N00	BS9326
DaimlerChrysler	A0174206018 *	K004043N00	BS9438
DaimlerChrysler	A0174206118 *	K004042N00	BS9437
DaimlerChrysler	A0174209118 *	II37138000	BS9390
DaimlerChrysler	A0174209218 *	II37139000	BS9391
DaimlerChrysler	A0184205818 *	K004041N00	BS9481
DaimlerChrysler	A0184205918 *	K004040N00	BS9480
DaimlerChrysler	A0184206418 *	K004032000	BS9492
DaimlerChrysler	A0184206518 *	K004031000	BS9491
DaimlerChrysler	A0184207918 *	II39929FN00	BS8520
DaimlerChrysler	A0184208018 *	II39930FN00	BS8521
DaimlerChrysler	A0184209918 *	K004044000	BS8402
DaimlerChrysler	A0194200018 *	K004045000	BS8403
DaimlerChrysler	A0194201218 *	K000844000	BS8534
DaimlerChrysler	A0194201318 *	K000843000	BS8533
DaimlerChrysler	A0194203918 *	K002200	BS8430
DaimlerChrysler	A0194204018 *	K002201	BS8431
DaimlerChrysler	A0194205918	K002855N00	BS9305
DaimlerChrysler	A0194206018	K002856N00	BS9321
DaimlerChrysler	A0194206118	K002857N00	BS9320
DaimlerChrysler	A0194206218	K002858N00	BS9311
DaimlerChrysler	A0194206318	K002859N00	BS9308
DaimlerChrysler	A0194206418	K002860N00	BS9412
DaimlerChrysler	A0194206518	K002861N00	BS9411
DaimlerChrysler	A0194206618	K002863N00	BS9505
DaimlerChrysler	A0194206718	K002862N00	BS9504
DaimlerChrysler	A0204202518	K004043N00	BS9438
DaimlerChrysler	A0204202618	K004042N00	BS9437
DaimlerChrysler	A0204202718	K004044000	BS8402
DaimlerChrysler	A0204202818	K004045000	BS8403
DaimlerChrysler	A0204202918	K004053000	BS9509
DaimlerChrysler	A0204203018	K004052N00	BS9502
DaimlerChrysler	A0204203718	K004029N00	BS9407
DaimlerChrysler	A0204203918	K004032000	BS9492
DaimlerChrysler	A0204204018	K004031000	BS9491

¹ When fitting a replacement rationalised brake actuator it is also necessary to change the plug connection system with the kit K013514

3 (3.3)**Cross References – Original Brake Actuator to Rationalised Brake Actuator**Listed in **Vehicle Manufacturer / OE Part Number** order

OEM Brake Actuator		Knorr-Bremse Rationalised Brake Actuator	
Vehicle Manufacturer	OEM Part Number	Part Number	Type Number
DaimlerChrysler	A0204204318	K004050000	BS9500
DaimlerChrysler	A0204204418	K004051000	BS9508
DaimlerChrysler	A0204204518	K004047N00	BS9514
DaimlerChrysler	A0204204618	K004046N00	BS9507
DaimlerChrysler	A0204204718	K004049000	BS9516
DaimlerChrysler	A0204204818	K004048N00	BS9515
DaimlerChrysler	A0204204918	K004033N00	BS9405
DaimlerChrysler	A0204205018	K004034N00	BS9406
DaimlerChrysler	A0204205118	K004035N00	BS9409
DaimlerChrysler	A0204205218	K004036N00	BS9410
DaimlerChrysler	A0204206018	K002854N00	BS9306
DaimlerChrysler	A0204206118	K004026N00	BS9728
DaimlerChrysler	A0204206218	K004025N00	BS9427
DaimlerChrysler	A0204206518	K004041N00	BS9481
DaimlerChrysler	A0204206618	K004040N00	BS9480
DaimlerChrysler	A0204207918	K004023N00	BS9327
DaimlerChrysler	A0204208018	K004022N00	BS9326
DaimlerChrysler	A0214202218	K004877N00	BS8331
DaimlerChrysler	A0214202318	K004876N00	BS8330
DaimlerChrysler	A3824200118	II40309FN00	BS8312
DaimlerChrysler	A3824200218	II40308FN00	BS8311
DaimlerChrysler	A6344200118	II40311FN00	BS9498
DaimlerChrysler	A6344200218	II40310FN00	BS9497
ERF	35504161872	II39918F	BS3152
ERF	35504214265	K000575	BS3153
IRISBUS	504043975	K000700	BS8453
IRISBUS	504045655	K000699	BS8452
IVECO	41031955	K008766	BS3201
IVECO	41031956	K010288	BS3257
IVECO	41031956	K010288	BS3257
IVECO	41031957	K003840	BS3313
IVECO	41031958	K003030	BS3354
IVECO	41031959	K003020	BS3423
IVECO	41031960	K003012	BS3458
IVECO	41031961	K002420	BS3532
IVECO	41211020	K003031	BS3362
IVECO	41211020	K003031	BS3362
IVECO	41211021	K003021	BS3441

Cross References – Original Brake Actuator to Rationalised Brake Actuator
Listed in **Vehicle Manufacturer / OE Part Number** order

OEM Brake Actuator		Knorr-Bremse Rationalised Brake Actuator	
Vehicle Manufacturer	OEM Part Number	Part Number	Type Number
IVECO	41211022	K003013	BS3467
IVECO	41211023	K002556	BS2504
IVECO	41211031	K008768	BS3207
IVECO	41211032	K010290	BS3269
IVECO	41211087	K006339	BS3155
IVECO	41211218	II39958F	BS8522
IVECO	41211228	II39614F	BS8519
IVECO	41211446	K008766	BS3201
IVECO	41211447	K008768	BS3207
IVECO	41211452	K003840	BS3313
IVECO	41211454	K003030	BS3354
IVECO	41211455	K003021	BS3441
IVECO	41211456	K003020	BS3423
IVECO	41211457	K003013	BS3467
IVECO	41211458	K003012	BS3458
IVECO	41211459	K002556	BS2504
IVECO	41211460	K002420	BS3532
IVECO	99474408	K009968	BT4800
IVECO	99474408	K009968	BT4800
IVECO	99474409	K009970	BT5800
IVECO	99474409	K009970	BT5800
IVECO	99478016	II39614F	BS8519
IVECO	99482723	K009971	BT5801
IVECO	99482723	K009971	BT5801
IVECO	99482725	K009969	BT4801
IVECO	99482725	K009969	BT4801
IVECO	504051703	K001181	BS8320
IVECO	504051704	K001182	BS8321
IVECO	504051705	K000978	BS9265
IVECO	504051706	K000979	BS9266
IVECO	504056161	K000976	BS8316
IVECO	504056162	K000977	BS8317
IVECO	504056184	K000910	BS9363
IVECO	504056185	K000909	BS9362
IVECO	504072792	K001902	BS9269
IVECO	504072793	K001903	BS9270
IVECO	504072795	K001898	BS8322
IVECO	504072796	K001899	BS8323

¹ When fitting a replacement rationalised brake actuator it is also necessary to change the plug connection system with the kit K013514

3 (3.3)**Cross References – Original Brake Actuator to Rationalised Brake Actuator**Listed in **Vehicle Manufacturer / OE Part Number** order

OEM Brake Actuator		Knorr-Bremse Rationalised Brake Actuator	
Vehicle Manufacturer	OEM Part Number	Part Number	Type Number
IVECO	504072798	K002002	BS9370
IVECO	504072799	K002003	BS9371
LEYLAND	1408904	K010674N00	BS9312
LEYLAND	1408905	K010675N00	BS9314
LEYLAND	1408906	K010672N00	BS9342
LEYLAND	1408907	K010673N00	BS9343
LEYLAND	1640556	K006653N00	BS3474
LEYLAND	1640557	K006654N00	BS3475
LEYLAND	ABRA055	K007086N00	BS9418
LEYLAND	ABRA056	K007055N00	BS9350
LEYLAND	ABRA057	K007045000	BS8337
LEYLAND	ABRA058	K007040N00	BS9282
LEYLAND	ABRA059	K007038N00	BS9177
LEYLAND	ABRA162	K007087N00	BS9419
LEYLAND	ABRA163	K007054N00	BS9351
LEYLAND	ABRA164	K007049N00	BS8338
LEYLAND	ABRA165	K007041N00	BS9281
LEYLAND	ABRA166	K007039000	BS9178
LEYLAND	ABRA298	K006648N00	BS2429
LEYLAND	ABRA299	K006646N00	BS3368
LEYLAND	ABRA300	K006510N00	BS2306
LEYLAND	ABRA302	K006506N00	BS3212
LEYLAND	ABRA304	K006649N00	BS3433
LEYLAND	ABRA305	K006647N00	BS3369
LEYLAND	ABRA306	K006511N00	BS2307
LEYLAND	ABRA308	K006507N00	BS3213
LEYLAND	ABRA473	K006653N00	BS3474
LEYLAND	ABRA473	K006654N00	BS3475
LEYLAND	ABRA889	II39602FN00	BS3363
LEYLAND	ABRA890	II39603FN00	BS3364
LEYLAND	ABRA891	K010672N00	BS9342
LEYLAND	ABRA892	K010673N00	BS9343
LEYLAND	ABRA985	II39927FN00	BS3340
LEYLAND	ABRA986	II39928FN00	BS3341
LEYLAND	ABRA987	K010674N00	BS9312
LEYLAND	ABRA988	K010675N00	BS9314
LEYLAND	ABRB628	K006655N00	BS2523
LEYLAND	ABRB629	K006656N00	BS2524

**Cross References – Original Brake Actuator to Rationalised Brake Actuator
Listed in Vehicle Manufacturer / OE Part Number order**

OEM Brake Actuator		Knorr-Bremse Rationalised Brake Actuator	
Vehicle Manufacturer	OEM Part Number	Part Number	Type Number
LEYLAND	ABRB630	K007135000	BS8507
LEYLAND	ABRB631	K007136000	BS8508
LEYLAND	ABRB725	K007131N00	BS8459
LEYLAND	ABRB726	K007130000	BS8458
LEYLAND	ABRD079	K006506N00	BS3212
LEYLAND	ABRD080	K006507N00	BS3213
LEYLAND	ABRD083	K006510N00	BS2306
LEYLAND	ABRD084	K006511N00	BS2307
LEYLAND	ABRD085	K006646N00	BS3368
LEYLAND	ABRD086	K006647N00	BS3369
LEYLAND	ABRD087	K006648N00	BS2429
LEYLAND	ABRD088	K006649N00	BS3433
LEYLAND	ABRD089	K006655N00	BS2523
LEYLAND	ABRD090	K006656N00	BS2524
LEYLAND	ABRD091	K007038N00	BS9177
LEYLAND	ABRD092	K007039000	BS9178
LEYLAND	ABRD093	K007040N00	BS9282
LEYLAND	ABRD094	K007041N00	BS9281
LEYLAND	ABRD095	K007045000	BS8337
LEYLAND	ABRD096	K007049N00	BS8338
LEYLAND	ABRD097	K007055N00	BS9350
LEYLAND	ABRD098	K007054N00	BS9351
LEYLAND	ABRD099	K007086N00	BS9418
LEYLAND	ABRD100	K007087N00	BS9419
LEYLAND	ABRD101	K007130000	BS8458
LEYLAND	ABRD102	K007131N00	BS8459
LEYLAND	ABRD103	K007135000	BS8507
LEYLAND	ABRD104	K007136000	BS8508
MAN	80.50410-6786	II38394F	BS9475
MAN	80.50410-6787	II38393F	BS9474
MAN	81.50410-6732	K007662	BS9434
MAN	81.50410-6733	II36962	BS9433
MAN	81.50410-6736	K007642	BS9296
MAN	81.50410-6737	K007643	BS9295
MAN	81.50410-6738	K007646	BS9395
MAN	81.50410-6739	K007647	BS9396
MAN	81.50410-6761	II38569F	BS9483
MAN	81.50410-6762	II38568F	BS9482

¹ When fitting a replacement rationalised brake actuator it is also necessary to change the plug connection system with the kit K013514

3 (3.3)**Cross References – Original Brake Actuator to Rationalised Brake Actuator**Listed in **Vehicle Manufacturer / OE Part Number** order

OEM Brake Actuator		Knorr-Bremse Rationalised Brake Actuator	
Vehicle Manufacturer	OEM Part Number	Part Number	Type Number
MAN	81.50410-6767	II38570F	BS9484
MAN	81.50410-6777	II39210F	BS9090
MAN	81.50410-6778	K007625	BS9092
MAN	81.50410-6779	K007626	BS9093
MAN	81.50410-6793	K007627	BS9088
MAN	81.50410-6794	K007628	BS9089
MAN	81.50410-6799	II38116F	BS9462
MAN	81.50410-6800	II38132F	BS9463
MAN	81.50410-6807	K001238	BS8415
MAN	81.50410-6809	K007669	BS8414
MAN	81.50410-6810	K007668	BS8413
MAN	81.50410-6815	K007630	BS9087
MAN	81.50410-6815	K007630	BS9087
MAN	81.50410-6816	K007629	BS9086
MAN	81.50410-6817	K007631	BS9083
MAN	81.50410-6818	K007632	BS9084
MAN	81.50410-6828	K007678	BS8427
MAN	81.50410-6829	K007677	BS8426
MAN	81.50410-6839	K007655	BS8328
MAN	81.50410-6840	K007656	BS8329
MAN	81.50410-6842	K002955	BS8434
MAN	81.50410-6843	K002956	BS8435
MAN	81.50410-6845	K002972	BS9082
MAN	81.50410-6846	K001124	BS8421
MAN	81.50410-6847	K001123	BS8420
MAN	81.50410-6848	K005059	BS8544
MAN	81.50410-6849	K005060	BS8545
MAN	81.50410-6850	K007653	BS8334
MAN	81.50410-6850	K007653	BS8334
MAN	81.50410-6851	K007654	BS8335
MAN	81.50410-6852	K007648	BS8332
MAN	81.50410-6853	K007649	BS8333
MAN	81.50410-6867	K007669	BS8414
MAN	81.50410-6868	K007668	BS8413
MAN	81.50410-6873	K007657	BS8420
MAN	81.50410-6874	K007658	BS8421
MAN	81.50410-6898	K007628	BS9089
MAN	81.50410-9732	K007662	BS9434

Cross References – Original Brake Actuator to Rationalised Brake Actuator
Listed in Vehicle Manufacturer / OE Part Number order

OEM Brake Actuator		Knorr-Bremse Rationalised Brake Actuator	
Vehicle Manufacturer	OEM Part Number	Part Number	Type Number
MAN	81.50410-9733	II36962	BS9433
MAN	81.50804-6329	K007662	BS9434
MAN	81.51101-6366	K015586	BS3511
MAN	81.51101-6367	K015585	BS3507
MAN	81.51101-6398	K015588	BS3521
MAN	81.51101-6399	K015587	BS3520
MAN	81.51101-6424	K015592	BS3528
MAN	81.51101-6425	K015591	BS3526
MAN	81.51101-6434	K015589	BS3536
MAN	81.51101-6435	K015590	BS3537
MAN	81.51101-6466	K002844	BS2515
MAN	81.51101-6467	K002843	BS2514
MAN	81.51101-6476	K015582	BS2408
MAN	81.51101-6477	K015581	BS2402
MAN	81.51101-6478	K015583	BS2406
MAN	81.51101-6479	K015584	BS2407
MAN	81.51101-6488	K015834	BS3801
MAN	81.51101-6489	K015833	BS3800
MAN	82.50410-6060	II38487F	BS8503
MAN	82.50410-6061	II38486F	BS8502
MAN	82.50410-6065	K007641	BS9180
MAN	85.50410-6066	K007640	BS9179
NEOPLAN	11014289	II18224	BS9398
NEOPLAN	11014301	II34870	BS9522
NEOPLAN	11015466	II18850	BS3451
NEOPLAN	11015467	II18886	BS3452
NEOPLAN	11015523	II38546F	BS8505
NEOPLAN	11018610	II37883	BS9332
SAF	3 454 1041 30	II38581F	BS9485
SAF	3 454 1043 30	II38574F	BS3437
SAF	3 454 1051 30	II38533F	BS9479
SAF	4 454 1043 30	II38528F	BS3436
SAF	4 454 1045 30	II38466F	BS3326
SAF	4 454 1046 30	II38578F	BS9376
SAF	4 454 1049 30	II38532F	BS9346
SAF	4 454 1050 30	II38580F	BS9339
SAF	4 454 1066 30	II38527F	BS3358
SAF	4 454 1068 30	II38529F	BS3462

¹ When fitting a replacement rationalised brake actuator it is also necessary to change the plug connection system with the kit K013514

3 (3.3)**Cross References – Original Brake Actuator to Rationalised Brake Actuator**

Listed in Vehicle Manufacturer / OE Part Number order

OEM Brake Actuator		Knorr-Bremse Rationalised Brake Actuator	
Vehicle Manufacturer	OEM Part Number	Part Number	Type Number
SAF	4 454 1070 30	II38531F	BS9286
SAF	4 454 1075 30	II38924F	BS3361
SAF	4 454 1081 30	Y004227	BS3343
SAF	4 454 1082 30	Y004232	BS3447
SAF	4.454 1069 30	II38530F	BS3547
SCANIA	1383087	II19458N00	BS3508
SCANIA	1383095	II38470F000	BS8500
SCANIA	1414029	II37472N00	BS3539
SCANIA	1424306	II37747000	BS9536
SCANIA	1427475	K006487N00	BS2500
SCANIA	1427476	K006488N00	BS2501
SCANIA	1427478	K006489N00	BS2502
SCANIA	1427478	K006489N00	BS2502
SCANIA	1427479	K006490N00	BS2503
SCANIA	1450301	K006334N00	BS3338
SCANIA	1450303	K006371N00	BS3444
SCANIA	1450303	K006371N00	BS3444
SCANIA	1734993	K018095N00	BS9531
SCANIA	1734994	K018094N00	BS9510
SCANIA	1734995	II38471F000	BS8501
SCANIA	1734996	II38470F000	BS8500
SCANIA	1734997	Y004246N00	BS8526
SCANIA	1734998	Y004245N00	BS8525
SCANIA	1739426	II39687FN00	BS8302
SCANIA	1739427	II40323FN00	BS9499
SCANIA	1739428	II34198000	BS9527
SCHMITZ	54080	II38110F	BS9335
SCHMITZ	54081	II38111F	BS3321
SMB	M079021	K002618	BS3327
SMB	M079048	II38496F	BS9377
SMB	M079056	II38497F	BS9378
SMB	M200024-01	II39220F	BS8518
SMB	M200024-02	II39219F	BS8517
VAN HOOL	10691324	II39218F	BS3335
VAN HOOL	10691355	II39324F	BS3443
VAN HOOL	10696342	II39374F	BS3336
VAN HOOL	10696343	II39375F	BS3337
ZF	501014880	II30477	BS9450

Cross References – Original Brake Actuator to Rationalised Brake Actuator
Listed in Vehicle Manufacturer / OE Part Number order

OEM Brake Actuator		Knorr-Bremse Rationalised Brake Actuator	
Vehicle Manufacturer	OEM Part Number	Part Number	Type Number
ZF	501314536	II18209	BS3502
ZF	501314537	II18210	BS3503
ZF	501314933	II30616	BS3402
ZF	501314934	II30617	BS3403
ZF	501315413	II32009	BS9506
ZF	501316050	II34388	BS9520
ZF	501316051	II34389	BS9458
ZF	501316410	II33050	BS3255
ZF	501316775	K002978	BS3314
ZF	501316961	II37282	BS9534
ZF	501317127	II37468	BS9535
ZF	501317567	II37127	BS3538
ZF	501317574	II37906	BS9461
ZF	501317794	II38455F	BS3263
ZF	501317931	II35719	BS9528
ZF	501317951	II38522F	BS9478
ZF	501317952	II38408F	BS9476
ZF	501317962	II38547F	BS8506
ZF	501319948	II40500F	BS8450
ZF	501319949	II40501F	BS8451
ZF	501321353	K004074	BS9476
ZF	501321354	K004075	BS9478
ZF	501321404	K004765	BS2521
ZF	501321405	K004767	BS2522
ZF	501322273	K010028	BS3478
ZF	501322390	K011452000	BS9543

¹ When fitting a replacement rationalised brake actuator it is also necessary to change the plug connection system with the kit K013514

Cross References - Competitor Brake Actuator to Knorr-Bremse Rationalised Brake Actuator

Cross References -
Competitor Brake Actuator to Knorr-Bremse Rationalised Brake Actuator 61-63

4

Cross References - Competitor Brake Actuator to Knorr-Bremse Rationalised Brake Actuator

WABCO OE Brake Actuator	Knorr-Bremse Rationalised Brake Actuator	
WABCO Part Number	Part Number	Type Number
4231047107	II14535	BS3300
4231047160	II38466F	BS3326
4231067000	K015589	BS3536
4231067010	K015590	BS3537
4235050000	II31098	BS3404
4235050040	II38528F	BS3436
4235060010	II30618	BS3509
4235060020	II38530F	BS3547
9254248000	K007647	BS9396
9254248010	K007646	BS9395
9254600007	K002861N00	BS9411
9254600017	K002860N00	BS9412
9254600020	K004042N00	BS9437
9254600030	K004043N00	BS9438
9254600110 *	K004034N00	BS9406
9254600120 *	K004035N00	BS9409
9254600127	K004035N00	BS9409
9254600130	K004036N00	BS9410
9254600200	K004029N00	BS9407
9254600320	II38533F	BS9479
9254601010	II38599F	BS9486
9254602300	II36962	BS9433
9254602310	K007662	BS9434
9254610000	K004050000	BS9500
9254610010	K004051000	BS9508
9254610100	K002862N00	BS9504
9254610110	K002863N00	BS9505
9254610200	K004052N00	BS9502
9254610210 *	K004053000	BS9509
9254610500	II31408	BS9503
9254635020	II31783	BS9297
9254640000	K002859N00	BS9308
9254640020 *	K004022N00	BS9326
9254640030 *	K004023N00	BS9327
9254640200 *	K002855N00	BS9305
9254640210 *	K002854N00	BS9306
9254644510	II38497F	BS9378
9254644520	II31227	BS9397

Cross References - Competitor Brake Actuator to Knorr-Bremse Rationalised Brake Actuator

WABCO OE Brake Actuator	Knorr-Bremse Rationalised Brake Actuator	
WABCO Part Number	Part Number	Type Number
9254644527	II31227	BS9397
9254644600	II38578F	BS9376
9254644610	II38465F	BS9379
9254645000	II30619	BS9304
9254645007	II30619	BS9304
9254682527	II31783	BS9297
9254800120	K004035N00	BS9409
9254840020	K004022N00	BS9326
9254840030	K004023N00	BS9327
9254840200	K002855N00	BS9305

Haldex OE Brake Actuator	Knorr-Bremse Rationalised Brake Actuator	
Haldex Part Number	Part Number	Type Number
120914302 *	K003968N00	BS3250
120916312 *	K004146N00	BS3301
120920322 *	K004207N00	BS3410
120920323 *	K004172N00	BS3409
120920324 *	K004211N00	BS3412
120920325 *	K004209N00	BS3411
120920326	II31098	BS3404
120920326 *	K004171N00	BS3401
120920327 *	K002623N00	BS3501
120924321 *	K002624N00	BS3514
120924322 *	K002722N00	BS3522
120924323 *	K002721N00	BS3516
120924328 *	K002724N00	BS3525
120924329 *	K002723N00	BS3524
135162400	II30619	BS9304

* When fitting a replacement rationalised brake actuator it is also necessary to change the plug connection system with the kit K013514

Commercial Vehicle Systems

**Knorr-Bremse Systeme für
Nutzfahrzeuge GmbH**
Moosacher Straße 80
80809 Munich
Germany
Tel: +49 89 3547-0
Fax: +49 89 3547-2767
www.Knorr-BremseCVS.com

Australia
**Knorr-Bremse
Australia Pty. Ltd.**
Granville NSW
Tel: +61 2 8863-6500
Fax: +61 2 8863-6151

Austria
**Knorr-Bremse GmbH
Systeme für Nutzfahrzeuge**
Mödling
Tel: +43 2236 409-436
Fax: +43 2236 409-434

Belgium
Knorr-Bremse Benelux B.V.B.A.
Heist-op-den-Berg
Tel: +32 1525 7900
Fax: +32 1524 9240

Brazil
**Knorr-Bremse
Sistemas para Veículos
Comerciais Brasil Ltda.**
São Paulo
Tel: +55 11 5681 1104
Fax: +55 11 5686 3905

China
**Knorr-Bremse
Brake Equipment (Shanghai)
Co. Ltd.**
Shanghai
Tel: +86 21 6891-7500
Fax: +86 21 6891-7510

**Knorr-Bremse
Asia Pacific (Holding) Limited
Truck Brake Systems Division**
Hong Kong
Tel: +852 3657-9800
Fax: +852 3657-9901

Czech Republic
**Knorr-Bremse Systémy pro
užitková vozidla, CR, s.r.o.**
Hejnice
Tel: +420 482 363-611
Fax: +420 482 363-711

France
**Knorr-Bremse
Systèmes pour Véhicules
Utilitaires France S.A.**
Lisieux Cedex
Tel: +33 2 3132 1200
Fax: +33 2 3132 1303

Germany
Hasse & Wrede GmbH
Berlin
Tel: +49 30 9392-3101
Fax: +49 30 7009-0811

Hungary
**Knorr-Bremse
Fékrendszerek Kft.**
Kecskemét
Tel: +36 76 511 100
Fax: +36 76 481 100

India
**Knorr-Bremse
Systems for Commercial Vehicles
India Private Ltd.**
Pune
Tel: +91 20 2293-9141-47
Fax: +91 20 2293-9148

Italy
**Knorr-Bremse
Sistemi per Autoveicoli
Commerciali S.p.A.**
Arcore
Tel: +39 039 6075-1
Fax: +39 039 6075-435

Japan
**Knorr-Bremse
Commercial Vehicle Systems
Japan Ltd.**
Tokyo
Tel: +81 3 3971-8501
Fax: +81 3 3971-8579

Korea
**Knorr-Bremse
Korea Ltd. Truck Brake Division**
Seoul
Tel: +82 2 2273-1182
Fax: +82 2 2273-1184

Netherlands
Knorr-Bremse Benelux B.V.B.A.
Mydrecht
Tel: +31 297 239-330
Fax: +31 297 239-339

Poland
Knorr-Bremse Polska SfN Sp. z o.o.
Warsaw
Tel: +48 22 887-3870
Fax: +48 22 887-3860

Russia
Knorr-Bremse RUS
Nizhniy Novgorod
Tel: +7 8312 57-6661
Fax: +7 8312 57-6791

**Knorr-Bremse
Systeme für Nutzfahrzeuge GmbH**
Moscow
Tel: +7 495 234-4995
Fax: +7 495 234-4996

South Africa
Knorr-Bremse S.A. Pty. Ltd.
Kempton Park
Tel: +27 11 961-7800
Fax: +27 11 975-8249

Spain
Bost Ibérica, S.L.
Irún (Guipuzcoa)
Tel: +34 902 100-569
Fax: +34 943 614-063

Sweden
**Knorr-Bremse
System for Tunga Fordon AB**
Malmö
Tel: +46 40 680 5880
Fax: +46 40 937490

Switzerland
**Knorr-Bremse
Systeme für Nutzfahrzeuge GmbH**
Bassersdorf
Tel: +41 44 888 77-55
Fax: +41 44 888 77-50

Turkey
**Knorr-Bremse
Systeme für Nutzfahrzeuge GmbH**
Findikli - Istanbul
Tel: +90 212 293-4742
Fax: +90 212 293-4743

United Kingdom
**Knorr-Bremse
Systems for Commercial
Vehicles Ltd.**
Bristol
Tel: +44 117 9846-100
Fax: +44 117 9846-101

USA
**Bendix Commercial Vehicle
Systems LLC**
Elyria, OH
Tel: +1 440 329-9100
Fax: +1 440 329-9105

This publication may be subject to alteration without prior notice. A printed copy of this document may not be the latest revision. Please check our website www.Knorr-BremseCVS.com for the latest update or contact your local Knorr-Bremse representative. Copyright 2007 © Knorr-Bremse AG - all rights reserved, including industrial property rights applications. Knorr-Bremse AG retains any power of disposal, such as for copying and transferring.



KNORR-BREMSE
www.knorr-bremse.com

Y038436-EN-000